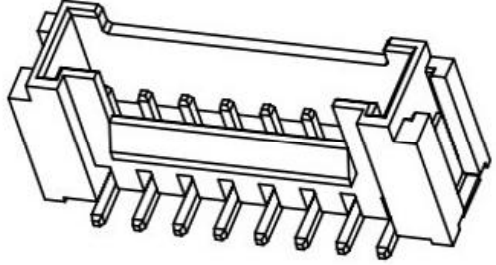
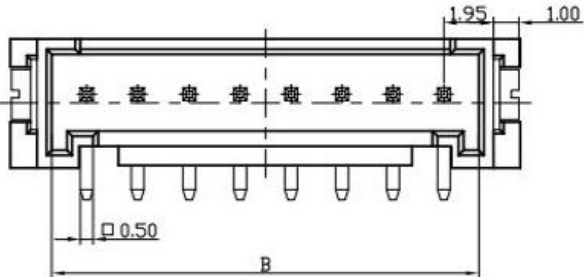
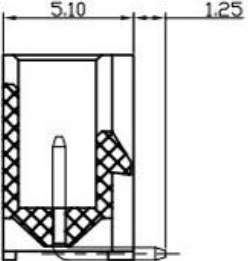
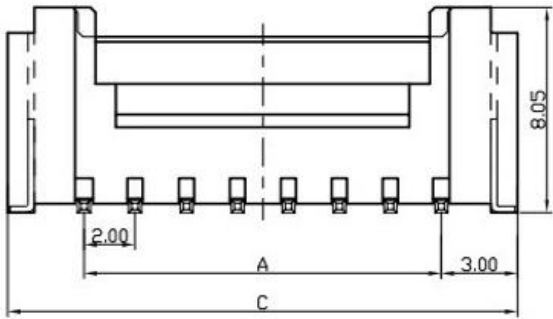
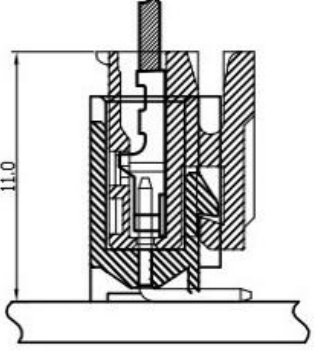


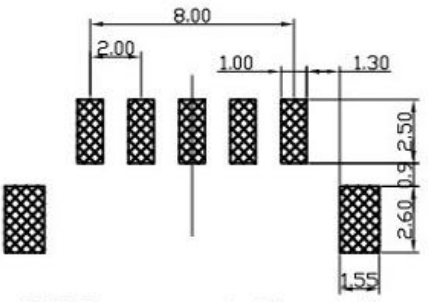
Specifications:
 Housing: LCP UL94-V0 Color: Nature
 Contact: Phosphor Bronze
 Operating Voltage: 250V AC/DC
 Current Rating: 2A AC/DC
 Withstand Voltage: 800V AC/Minute
 Contact Resistance: $\leq 30\text{m}\Omega$
 Insulation resistance: $\geq 500\text{m}\Omega$
 Operating Temperature: $-25^{\circ}\text{C} \sim +85^{\circ}\text{C}$



PIN	A	B	C
2	2.0	4.75	8.0
3	4.0	6.75	10.0
4	6.0	8.75	12.0
5	8.0	10.75	14.0
6	10.0	12.75	16.0
7	12.0	14.75	18.0
8	14.0	16.75	20.0
9	16.0	18.75	22.0
10	18.0	20.75	24.0
11	20.0	22.75	26.0
12	22.0	24.75	28.0
13	24.0	26.75	30.0
14	26.0	28.75	32.0
15	28.0	30.75	34.0
16	30.0	32.75	36.0



PHB Receptacle + PHB Header



PCB Recommended Layout

東莞市黃江兆盛開關廠

檢驗尺寸標示 SYMBOLS ① ② INDICATE CLASSIFICATION DIMENSION ③ MARK IS CRITICAL DIM. ④ MARK IS MAJOR DIM.	工程圖號 品名 TITLE 比例 (SCALE) 1:1	HY2.0mm - nP 立點帶扣 HY2.0mm Pitch LB FOR SMT CONN	制圖 (DR) '15/5/16 審核 (CHKD) 檢驗 (APPD) Rigo Lu
表面處理 (FINISH)	單位 (UNITS) mm	張數 (SHEET) 1 OF 1	尺寸 (SIZE) A4

REV	REVISION DESCRIPTION	DATE	SIGNATURE
△	-	-	-