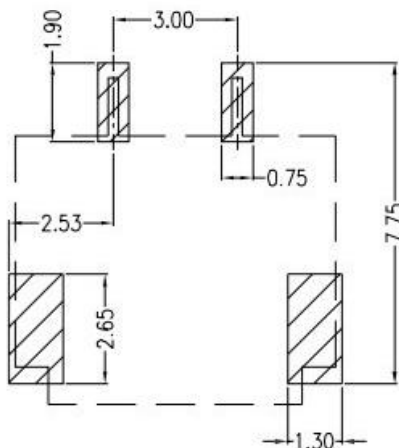
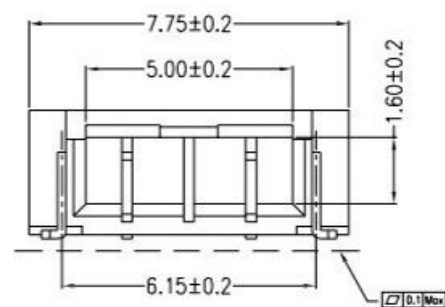


Assembly Layout

主要技术参数 Main Specifications

- 线 数 (Poles): 02P
- 接触电阻 (Contact resistance): $\leq 20m\Omega$
- 绝缘电阻 (Insulation resistance): $\geq 1000M\Omega$
- 额定电压 (Rated voltage): 150 V AC DC
- 额定电流 (Rated current): 1.0A AC DC
- 耐电压 (Withstand Voltage): 1000V AC/minute
- 温度范围 (Temperature Range): $-25^{\circ}C \sim +105^{\circ}C$



Board Layout
General Tolerance: ± 0.05

NO.	DESCRIPTION	QTY	MATERIAL	PLATING/COLOR
A	Insulator	1	LCP(UL94V-0)	Beige
B	Contacts	2	PhosphorBronze	Tin-plated
C	Solder Tab	2	PhosphorBronze	Tin-plated

UNITS	mm
MAT'L	
FINISH	
Q'TY	PCS

科斯达电子科技有限公司

PART NO.(INTENDED USE)	TITLE: 3.0-2P卧贴对接插座母座						
APPD:	DWG NO.:						
CHKD:							
DR: HU 2016.09.28							
	<table border="1"> <tr> <td>SCALE</td> <td>SHEET</td> <td>REV.</td> </tr> <tr> <td>1/1</td> <td>1/1</td> <td>A</td> </tr> </table>	SCALE	SHEET	REV.	1/1	1/1	A
SCALE	SHEET	REV.					
1/1	1/1	A					

X. ± 0.3	X° ± 5°
.X ± 0.25	.X° ± 2°
.XX ± 0.20	.XX° ± 1°
.XXX ± 0.10	.XXX° ± 0.5°