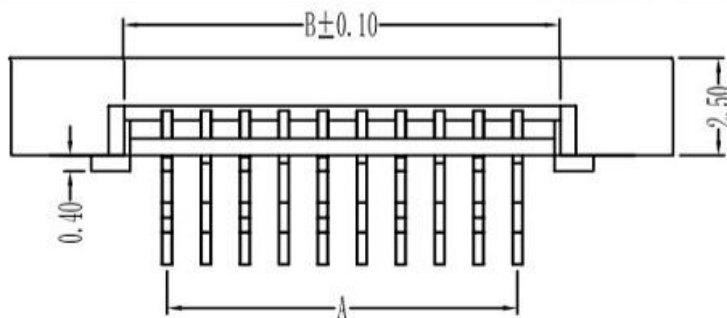


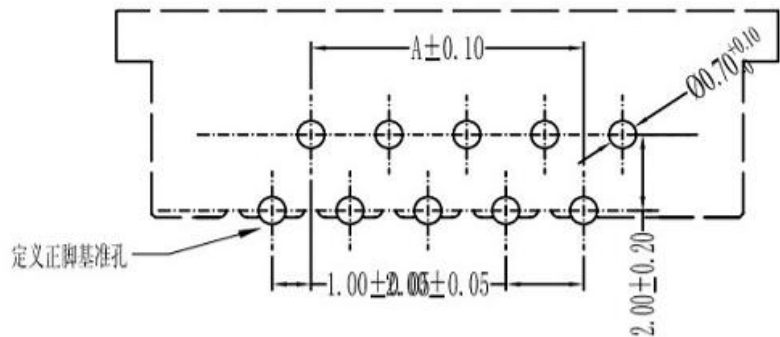
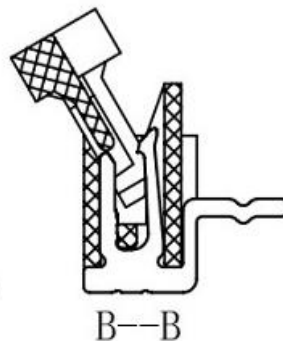
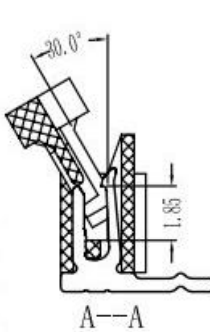
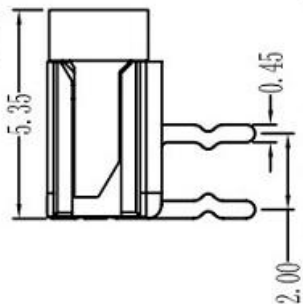
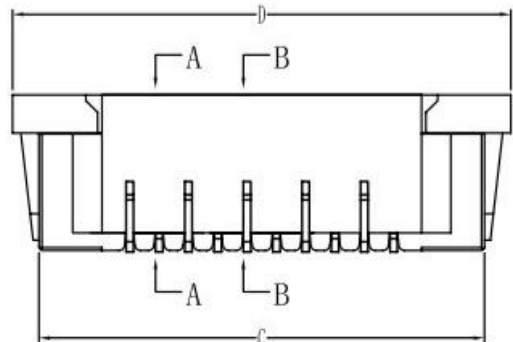
1.0mm PITCH FPC CONNECTORS



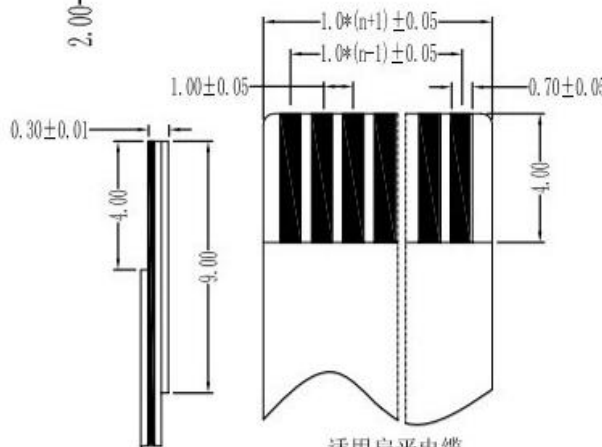
性能:

额定电流: 0.5A
 额定电压: 50V
 耐电压: 500V
 接触电阻: $\leq 20\text{m}\Omega$
 绝缘电阻: 800M Ω
 工作温度: -20 $^{\circ}\text{C}$ ~ +85 $^{\circ}\text{C}$

塑件(材质): LCP, UL94V-0
 锁扣(材质): LCP, UL94V-0
 插簧(材质): 磷青铜, 镀锡/镀金



PCB Layout



适用扁平电缆

孔位	A	B	C	D
2	1	3.15	7.2	9.1
3	2	4.15	8.2	10.1
4	3	5.15	9.2	11.1
5	4	6.15	10.2	12.1
6	5	7.15	11.2	13.1
7	6	8.15	12.2	14.1
8	7	9.15	13.2	15.1
9	8	10.15	14.2	16.1
10	9	11.15	15.2	17.1
11	10	12.15	16.2	18.1
12	11	13.15	17.2	19.1
13	12	14.15	18.2	20.1
14	13	15.15	19.2	21.1
15	14	16.15	20.2	22.1
16	15	17.15	21.2	23.1
17	16	18.15	22.2	24.1
18	17	19.15	23.2	25.1
19	18	20.15	24.2	26.1
20	19	21.15	25.2	27.1
21	20	22.15	26.2	28.1
22	21	23.15	27.2	29.1
23	22	24.15	28.2	30.1
24	23	25.15	29.2	31.1
25	24	26.15	30.2	32.1
26	25	27.15	31.2	33.1
27	26	28.15	32.2	34.1
28	27	29.15	33.2	35.1
29	28	30.15	34.2	36.1
30	29	31.15	35.2	37.1
31	30	32.15	36.2	38.1
32	31	33.15	37.2	39.1
33	32	34.15	38.2	40.1
34	33	35.15	39.2	41.1
35	34	36.15	40.2	42.1

X. ± 0.3	X° ± 5°	UNITS mm
.X ± 0.25	.X° ± 2°	MAT'L
.XX ± 0.20	.XX° ± 1°	FINISH
.XXX ± 0.10	.XXX° ± 0.5°	
THESE DRAWINGS AND SPECIFICATIONS ARE THE PROPERTY OF DE RUI ELECTRON FACTORY AND SHALL NOT BE REPRODUCED, COPIED OR USED IN ANY MANNER WITHOUT THE PRIOR WRITTEN CONSENT OF DE RUI ELECTRON FACTORY		Q'TY

科斯达电子科技有限公司

PART NO. (INTENDED USE)	TITLE: 1.0mm FPC (J型)弯插式(正脚)
APPD:	DWG NO.:
CHKD:	
DR: YLZ 2011.09.28	
	SCALE SHEET REV. 1/1 1/1 A