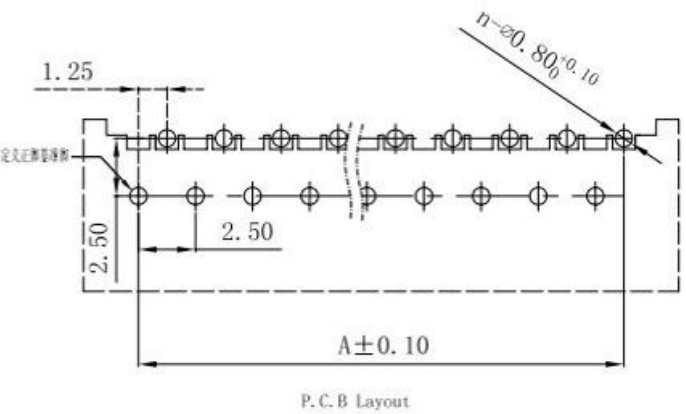
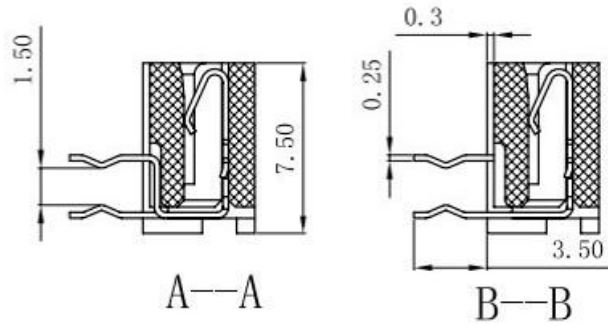
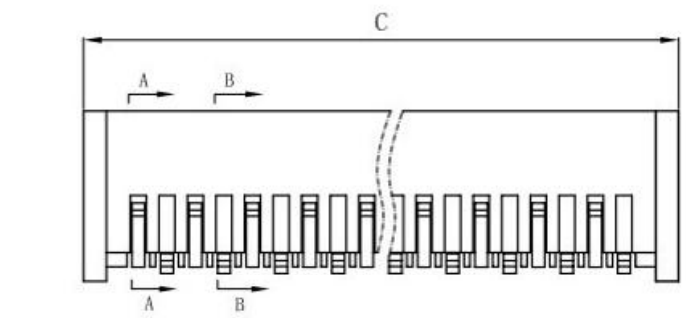
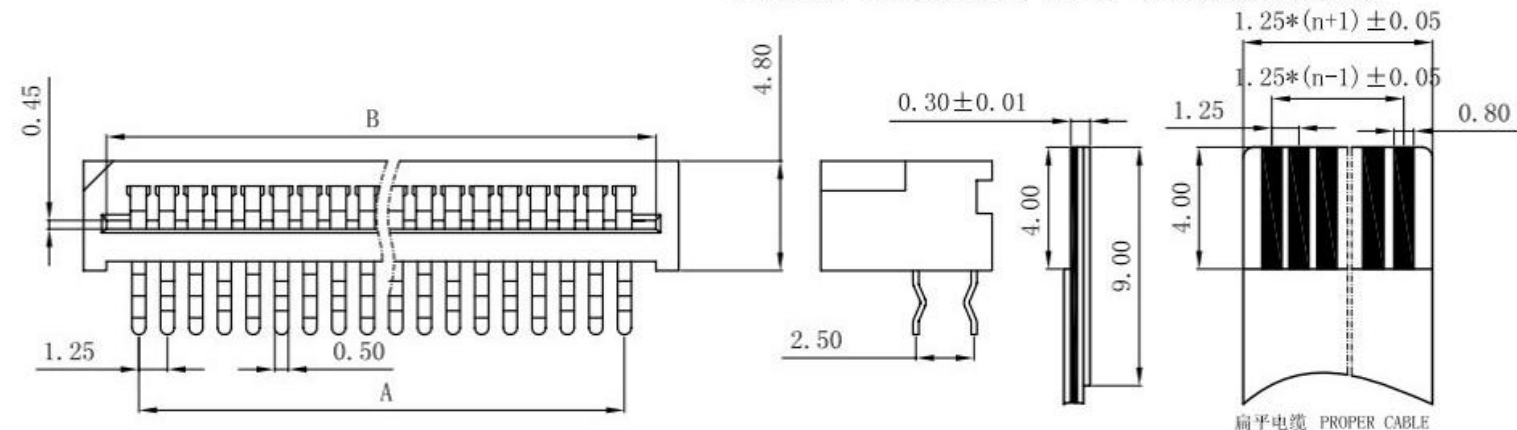


# PITCH 1.25mm FPC CONNECTORS



性能:  
 额定电流: 1A  
 额定电压: 200V  
 耐电压: 500V  
 接触电阻: <math>\leq 20\text{m}\Omega</math>  
 绝缘电阻: 500M $\Omega$   
 工作温度:  $-20^{\circ}\text{C} \sim +85^{\circ}\text{C}$   
 塑件(材质): PBT, UL94V-0  
 插簧(材质): 磷青铜, 镀锡/镀金

孔位	A	B	C
4	3.75	6.25	8.55
5	5.00	7.50	9.80
6	6.25	8.75	11.05
7	7.50	10.00	12.30
8	8.75	11.25	13.55
9	10.00	12.50	14.80
10	11.25	13.75	16.05
11	12.50	15.00	17.30
12	13.75	16.25	18.55
13	15.00	17.50	19.80
14	16.25	18.75	21.05
15	17.50	20.00	22.30
16	18.75	21.25	23.55
17	20.00	22.50	24.80
18	21.25	23.75	26.05
19	22.50	25.00	27.30
20	23.75	26.25	28.55
21	25.00	27.50	29.80
22	26.25	28.75	31.05
23	27.50	30.00	32.30
24	28.75	31.25	33.55
25	30.00	32.50	34.80
26	31.25	33.75	36.05
27	32.50	35.00	37.30
28	33.75	36.25	38.55
29	35.00	37.50	39.80
30	36.25	38.75	41.05
31	37.50	40.00	42.30
32	38.75	41.25	43.55
33	40.00	42.50	44.80
34	41.25	43.75	46.05
35	42.50	45.00	47.30
36	43.75	46.25	48.55
37	45.00	47.50	49.80
38	46.25	48.75	51.05
39	47.50	50.00	52.30
40	48.75	51.25	53.55

X. $\pm 0.3$	X°. $\pm 5^{\circ}$	UNITS	mm
.X $\pm 0.25$	.X° $\pm 2^{\circ}$	MAT'L	
.XX $\pm 0.20$	.XX° $\pm 1^{\circ}$	FINISH	
.XXX $\pm 0.10$	.XXX° $\pm 0.5^{\circ}$	Q'TY	
THESE DRAWINGS AND SPECIFICATIONS ARE THE PROPERTY OF DE RUI ELECTRON FACTORY AND SHALL NOT BE REPRODUCED, COPIED OR USED IN ANY MANNER WITHOUT THE PRIOR WRITTEN CONSENT OF DE RUI ELECTRON FACTORY			

## 科斯达电子科技有限公司

PART NO. (INTENDED USE)	TITLE: 1.25mm FPC(A型)弯插(正脚)		
APPD:	DWG NO.: 125N03		
CHKD:	SCALE	SHEET	REV.
DR: YLZ 2011.09.28	1/1	1/1	A