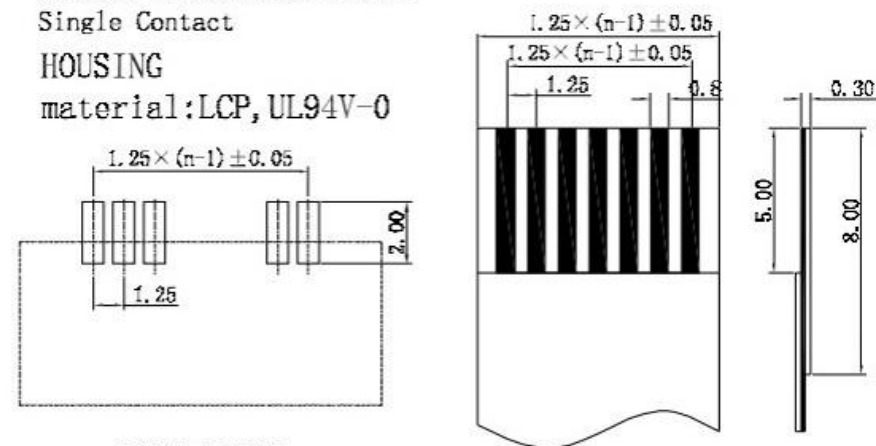


**SPECIFICATIONS**

- Poles: 4 to 33
- Voltage rating (MAX): 50V DC/AV (rms)
- Current rating: 0.5A AC DC
- Working Temperature:  $-20^{\circ}C$  to  $+85^{\circ}C$
- Withstand voltage: 500VAC/minute
- Insulation resistance:  $\geq 800M\Omega$
- Contact resistance:  $\leq 0.04\Omega$
- Single Contact

**HOUSING**

material: LCP, UL94V-0



**PC BOARD LAYOUT**

UNITS mm		<b>科斯达电子科技有限公司</b>		
MAT'L				
PART NO.(INTENDED USE)		TITLE: 1.25双面接母贴片FPC连接器		
APPD:		DWG NO.:		
CHKD:		SCALE SHEET REV.		
DR: HU 2016.09.28		1/1 1/1 A		
$X \pm 0.3$	$X' \pm 5'$	FINISH	Q'TY	PCS
$.X \pm 0.25$	$.X' \pm 2'$			
$.XX \pm 0.20$	$.XX' \pm 1'$			
$.XXX \pm 0.10$	$.XXX' \pm 0.5'$			