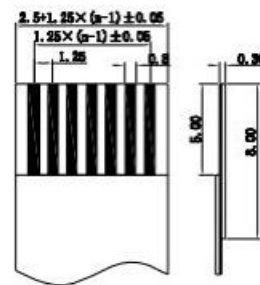
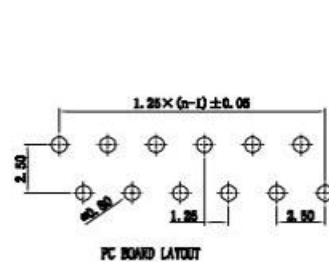
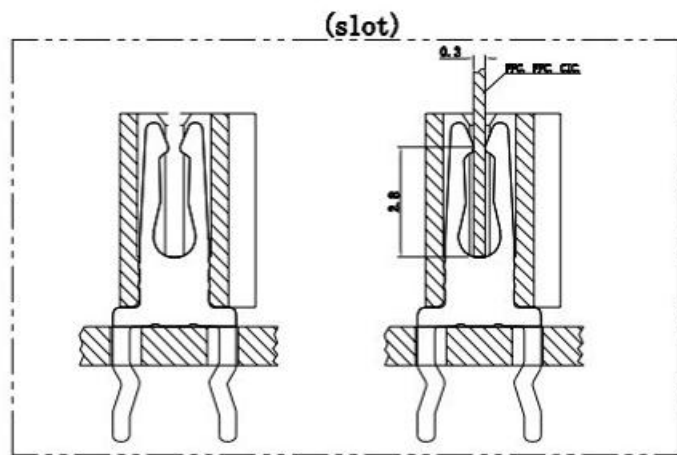


**Electrical**

Voltage: 50 V AC(rms)/DC  
 Current: 0.5 A AC(rms)/DC  
 Contact Resistance: 40 mΩ max(initial)  
 Dielectric Withstanding Voltage: 200 V AC/rms  
 Insulation Resistance: 800 MΩ min  
 Operating Temp: -25° C~+85° C



UNITS mm		<b>科斯达电子科技有限公司</b>							
MAT'L									
PART NO.(INTENDED USE)		TITLE: 1.25双面接直插FPC连接器							
APPD:		DWG NO.: 1.25							
CHKD:		 <table border="1"> <tr> <td>SCALE</td> <td>SHEET</td> <td>REV.</td> </tr> <tr> <td>1/1</td> <td>1/1</td> <td>A</td> </tr> </table>		SCALE	SHEET	REV.	1/1	1/1	A
SCALE	SHEET			REV.					
1/1	1/1	A							
DR: HU 2016.09.28									
X.± 0.3	X°.± 5'	FINISH	PCS						
.X± 0.25	.X°.± 2'	Q'TY							
.XX± 0.20	.XX°.± 1'								
.XXX± 0.10	.XXX°.± 0.5'								