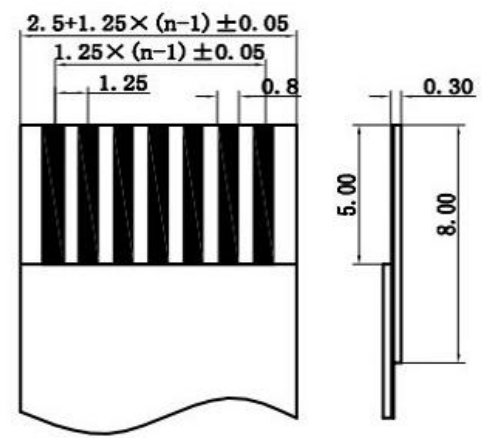
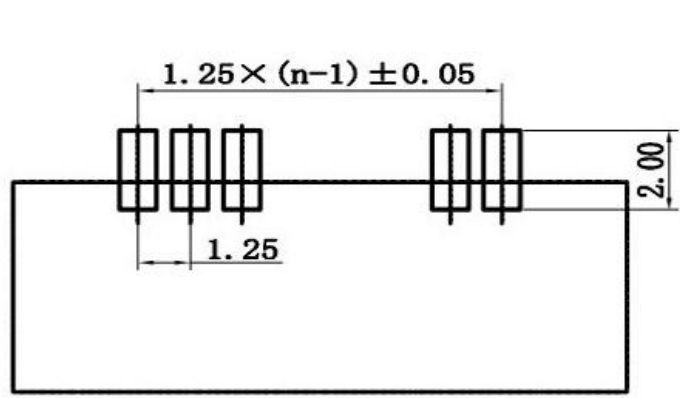
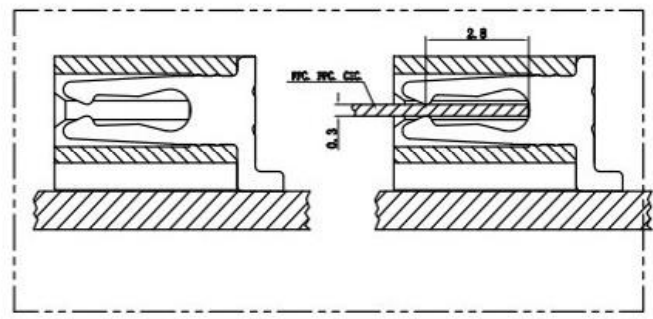
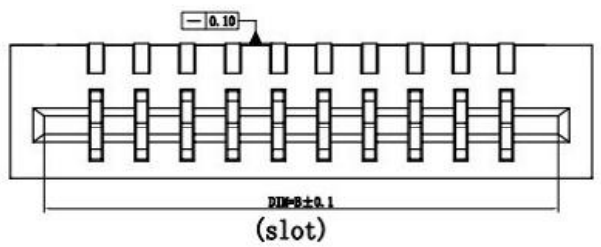
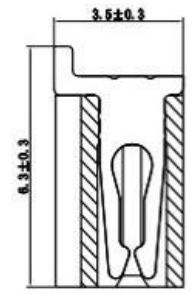
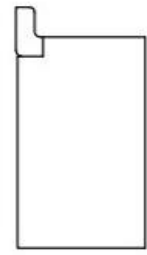
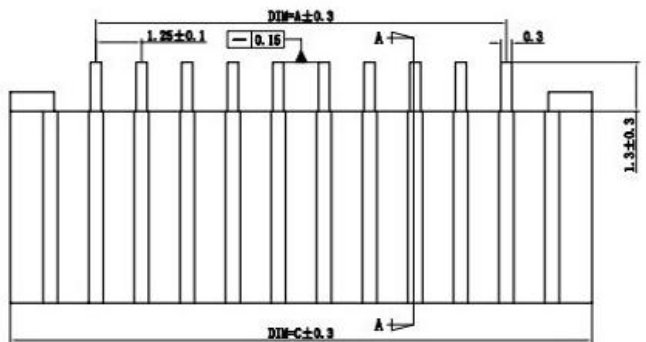


Specifications:
 Housing: LCP UL94-V0 Color: Black
 Contact: Phosphor Bronze
 Operating Voltage: 50V AC/DC
 Current Rating: 0.5A AC/DC
 Withstand Voltage: 250V AC/Minute
 Contact Resistance: $\leq 20m\Omega$
 Insulation resistance: $\geq 50m\Omega$
 Operating Temperature: $-25^{\circ}C \sim +85^{\circ}C$



P数	DIM=A	DIM=B	DIM=C
004	3.750	6.350	8.450
005	5.000	7.600	9.700
006	6.250	8.850	10.950
007	7.500	10.100	12.200
008	8.750	11.350	13.450
009	10.000	12.600	14.700
010	11.250	13.850	15.950
011	12.500	15.100	17.200
012	13.750	16.350	18.450
013	15.000	17.600	19.700
014	16.250	18.850	20.950
015	17.500	20.100	22.200
016	18.750	21.350	23.450
017	20.000	22.600	24.700
018	21.250	23.850	25.950
019	22.500	25.100	27.200
020	23.750	26.350	28.450
021	25.000	27.600	29.700
022	26.250	28.850	30.950
023	27.500	30.100	32.200
024	28.750	31.350	33.450
025	30.000	32.600	34.700
026	31.250	33.850	35.950
027	32.500	35.100	37.200
028	33.750	36.350	38.450
029	35.000	37.600	39.700
030	36.250	38.850	40.950
031	37.500	40.100	42.200
032	38.750	41.350	43.450
033	40.000	42.600	44.700

一般公差
 TOLERANCES
 X ±0.40 XX ±0.20
 Y ±0.30 XXX ±0.10
 ANGLES ±2°

检测尺寸标示
 SYMBOLS ⊕ ⊗ INDICATE CLASSIFICATION DIMENSION
 ⊕ MARK IS CRITICAL DIM.
 ⊗ MARK IS MAJOR DIM.
 表面处理 (FINISH)

工程图号: FPC125WT-nP
 品名: FPC1.25mm -nP 双面接驳贴
 TITLE: FPC1.25mm Pitch WT NO ZIF Dual-Contact CONN
 比例 (SCALE): 1:1
 单位 (UNITS): mm

制图 (DR): '08/5/16
 审核 (CHKD):
 核准 (APPD): Rigo Lu
 张数 (SHEET): 1 OF 1
 图幅 (SIZE): A4
 版数 (REV): 0

REV	REVISION DESCRIPTION	DATE	SIGNATURE

PC BOARD LAYOUT

科斯达科技有限公司