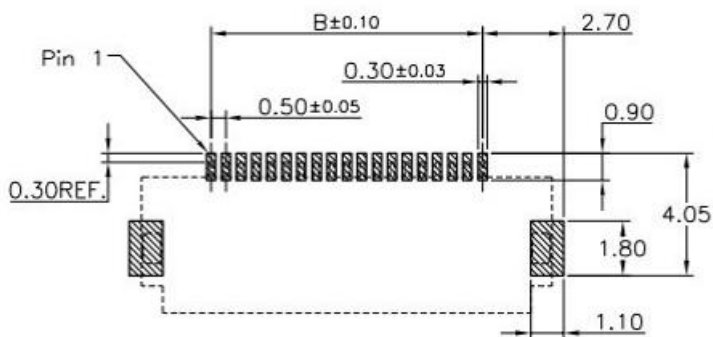


NOTE:

- MATERIAL:
HOUSING: LCP,UL 94V-0,COLOR:NATURE;
COVER: LCP,UL 94V-0,COLOR:BLACK;
CONTACT: P/B C5210,T=0.15;
PEG: BRASS C2680,T=0.20;
- PLATING:
CONTACT: (SEE P/N. INFORMATION) GOLD OR TIN
UNDER PLATED NICKEL OVERALL.
PEG: TIN UNDER PLATED NICKEL OVERALL.
- DIM. MARKED \varnothing SHOULD BE MEASURED BY FAI;
- DIM. MARKED ∇ SHOULD BE CONTROLLED BY QC;
- DIM. MARKED \square SHOULD BE ANALYSED TERMPLY BY QC;
CPK=1.0
- DIMENSION A/B/C SEE TABLE 1;



RECOMMEND PCB LAYOUT
TOLERANCE:±0.05

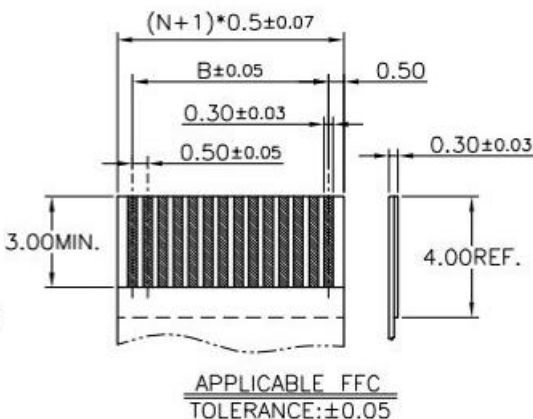


TABLE 1:

PIN NO.(N)	DIM. A	DIM. B	DIM. C
26~60	(N-1)*0.50+4.60	(N-1)*0.50	(N-1)*0.50+1.07

UNITS mm	科斯达电子科技有限公司		
MAT'L	PART NO.(INTENDED USE) 0515-**-CL-SN	TITLE: 0.5翻盖H1.5	
FINISH	APPD:	DWG NO.:	
Q'TY	CHKD:	0515-**-CL-SN	
DR: HU 2016.09.28	DR:	SCALE 1/1	SHEET 1/1
		REV. A	

X ± 0.3	X' ± 5'
.X ± 0.25	.X' ± 2'
.XX ± 0.20	.XX' ± 1'
.XXX ± 0.10	.XXX' ± 0.5'

PCS