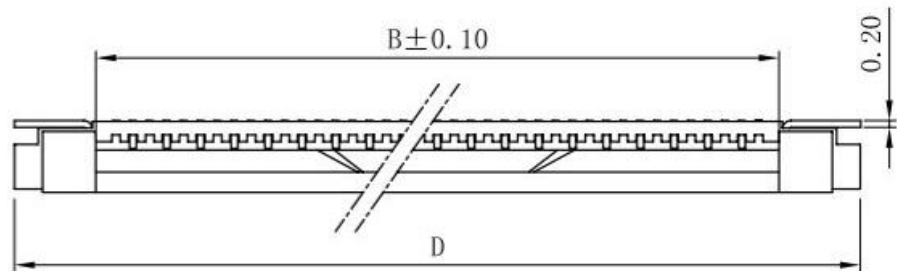
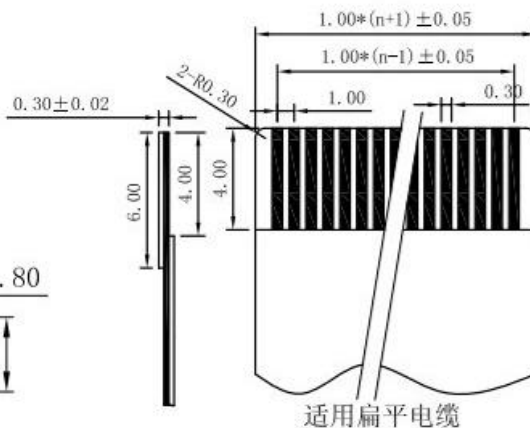
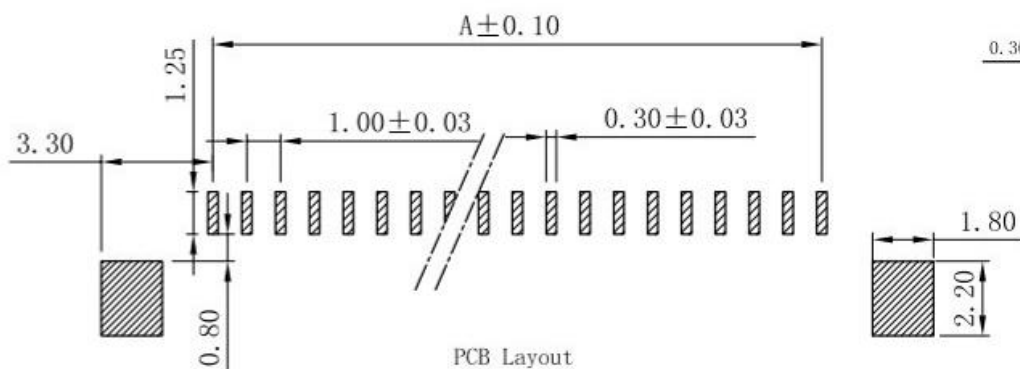
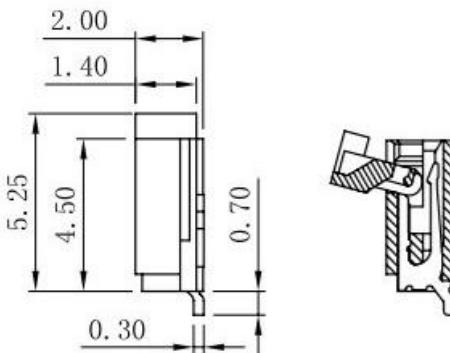
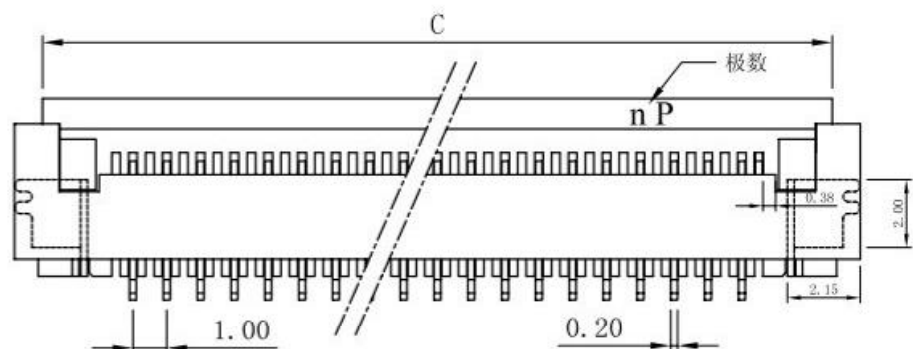


# PITCH 1.00mm FPC CONNECTOR SMT TYPE



性能:  
 额定电流: 0.4A  
 额定电压: 50V  
 耐电压: 200V  
 接触电阻:  $\leq 20m\Omega$   
 绝缘电阻:  $500M\Omega$   
 工作温度:  $-20^{\circ}C \sim +85^{\circ}C$   
 塑件(材质): LCP本色, UL94V-0  
 锁扣(材质): LCP黑色, UL94V-0  
 插簧(材质): 磷青铜, 镀锡/镀金  
 焊片(材质): 黄铜, 镀锡/镀金



| 孔位 | A     | B     | C     | D     |
|----|-------|-------|-------|-------|
| 4  | 3.00  | 5.10  | 8.50  | 9.90  |
| 5  | 4.00  | 6.10  | 9.50  | 10.90 |
| 6  | 5.00  | 7.10  | 10.50 | 11.90 |
| 7  | 5.00  | 8.10  | 11.50 | 12.90 |
| 8  | 7.00  | 9.10  | 12.50 | 13.90 |
| 9  | 3.00  | 10.10 | 13.50 | 14.90 |
| 10 | 9.00  | 11.10 | 14.50 | 15.90 |
| 11 | 10.00 | 12.10 | 15.50 | 16.90 |
| 12 | 11.00 | 13.10 | 16.50 | 17.90 |
| 13 | 12.00 | 14.10 | 17.50 | 18.90 |
| 14 | 13.00 | 15.10 | 18.50 | 19.90 |
| 15 | 14.00 | 16.10 | 19.50 | 20.90 |
| 16 | 15.00 | 17.10 | 20.50 | 21.90 |
| 17 | 15.00 | 18.10 | 21.50 | 22.90 |
| 18 | 17.00 | 19.10 | 22.50 | 23.90 |
| 19 | 13.00 | 20.10 | 23.50 | 24.90 |
| 20 | 19.00 | 21.10 | 24.50 | 25.90 |
| 21 | 20.00 | 22.10 | 25.50 | 26.90 |
| 22 | 21.00 | 23.10 | 26.50 | 27.90 |
| 23 | 22.00 | 24.10 | 27.50 | 28.90 |
| 24 | 23.00 | 25.10 | 28.50 | 29.90 |
| 25 | 24.00 | 26.10 | 29.50 | 30.90 |
| 26 | 25.00 | 27.10 | 30.50 | 31.90 |
| 27 | 25.00 | 28.10 | 31.50 | 32.90 |
| 28 | 27.00 | 29.10 | 32.50 | 33.90 |
| 29 | 23.00 | 30.10 | 33.50 | 34.90 |
| 30 | 29.00 | 31.10 | 34.50 | 35.90 |
| 31 | 30.00 | 32.10 | 35.50 | 36.90 |
| 32 | 31.00 | 33.10 | 36.50 | 37.90 |
| 33 | 32.00 | 34.10 | 37.50 | 38.90 |
| 34 | 33.00 | 35.10 | 38.50 | 39.90 |
| 35 | 34.00 | 36.10 | 39.50 | 40.90 |

|                                                                                                                                                                                                       |              |        |    |
|-------------------------------------------------------------------------------------------------------------------------------------------------------------------------------------------------------|--------------|--------|----|
| X ± 0.3                                                                                                                                                                                               | X° ± 5°      | UNITS  | mm |
| .X ± 0.25                                                                                                                                                                                             | .X° ± 2°     | MAT'L  |    |
| .XX ± 0.20                                                                                                                                                                                            | .XX° ± 1°    | FINISH |    |
| .XXX ± 0.10                                                                                                                                                                                           | .XXX° ± 0.5° | Q'TY   |    |
| THESE DRAWINGS AND SPECIFICATIONS ARE THE PROPERTY OF DE RUI ELECTRON FACTORY AND SHALL NOT BE REPRODUCED, COPIED OR USED IN ANY MANNER WITHOUT THE PRIOR WRITTEN CONSENT OF DE RUI ELECTRON FACTORY. |              |        |    |

科斯达电子科技有限公司

|                         |                               |       |      |
|-------------------------|-------------------------------|-------|------|
| PART NO. (INTENDED USE) | TITLE:<br>1.0mm FPC (D型)下接板盖式 |       |      |
| APPD:                   | DWG NO.:                      |       |      |
| CHKD:                   | SCALE                         | SHEET | REV. |
| DR: YLZ 2011.09.28      | 1/1                           | 1/1   | A    |