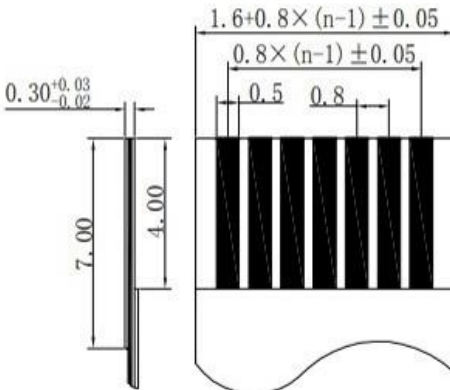
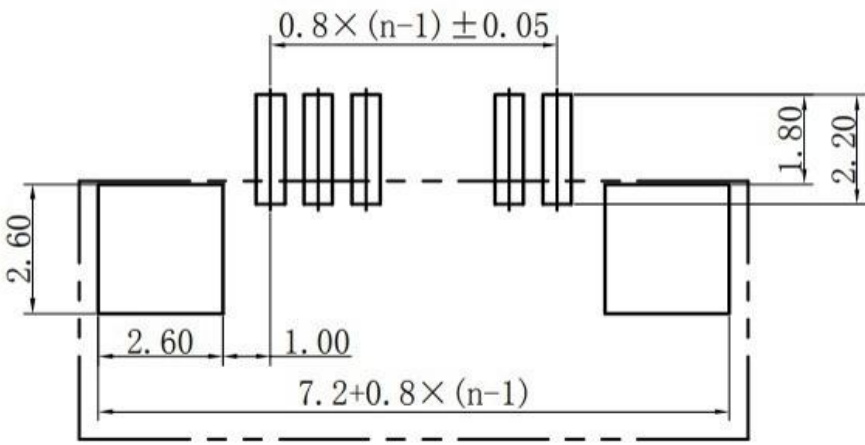


Specifications:
 Housing: LCP UL94-V0 Color: Nature
 Cove: LCP UL94-V0 Color: Black
 Contact: Phosphor Bronze
 Operating Voltage: 50V AC/DC
 Current Rating: 0.5A AC/DC
 Withstand Voltage: 250V AC/Minute
 Contact Resistance: $\leq 20m\Omega$
 Insulation resistance: >100M Ω
 Operating Temperature: -25°C ~ +85°C

NO. of Contacts (n)	Dimensions		
	A	B	C
004	4.1	2.4	9.95
005	4.9	3.2	10.75
006	5.7	4.0	11.55
007	6.5	4.8	12.35
008	7.3	5.6	13.15
009	8.1	6.4	13.95
010	8.9	7.2	14.75
011	9.7	8.0	15.55
012	10.5	8.8	16.35
013	11.3	9.6	17.15
014	12.1	10.4	17.95
015	12.9	11.2	18.75
016	13.7	12.0	19.55
017	14.5	12.8	20.35
018	15.3	13.6	21.15
019	16.1	14.4	21.95
020	16.9	15.2	22.75
021	17.7	16.0	23.55
022	18.5	16.8	24.35
023	19.3	17.6	25.15
024	20.1	18.4	25.95
025	20.9	19.2	26.75
026	21.7	20.0	27.55
027	22.5	20.8	28.35
028	23.3	21.6	29.15
029	24.1	22.4	29.95
030	24.9	23.2	30.75
031	25.7	24.0	31.55
032	26.5	24.8	32.35
033	27.3	25.6	33.15
034	28.1	26.4	33.95
035	28.9	27.2	34.75
036	29.7	28.0	35.55
037	30.5	28.8	36.35
038	31.3	29.6	37.15



PC BOARD LAYOUT

一般公差
 TOLERANCES
 X ±0.40 XX ±0.20
 Y ±0.30 XXX ±0.10
 ANGLES ±2°

检测尺寸标示
 SYMBOLS Ⓢ Ⓣ INDICATE CLASSIFICATION DIMENSION
 Ⓢ MARK IS CRITICAL DIM.
 Ⓣ MARK IS MAJOR DIM.

表面处理 (FINISH)

科斯达科技有限公司

工程图号: 08/5/16
 品名: 上接半包
 标题: FPC0.8mm Pitch H2.5 ZIP FOR SMT (UPPER CONN)
 比例 (SCALE): 1:1
 单位 (UNITS): mm
 制图 (DR): 08/5/16
 审核 (CHKD):
 核准 (APPD): Rigo Lu
 张数 (SHEET): 1 OF 1
 尺寸 (SIZE): A4
 版本 (REV): 0

REV	修改描述 REVISION DESCRIPTION	日期 DATE	签名 SIGNATURE