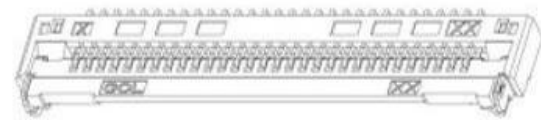
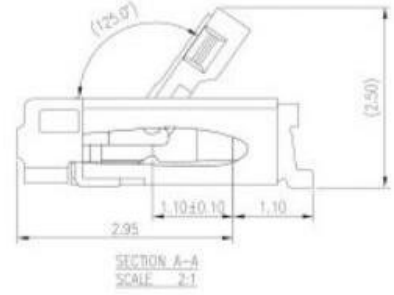
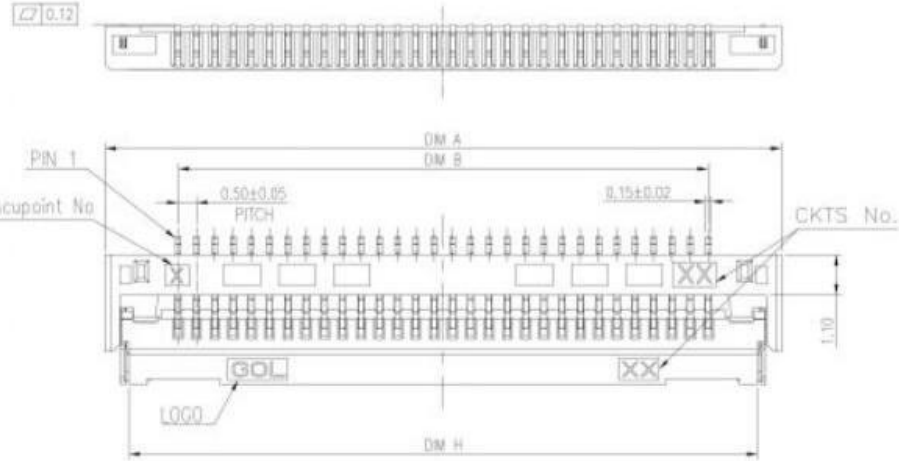


REV.	ECN.NO.	MODIFY.CONTENT	DATE
A		正式发行	03/11'20



- Note:
- Material:
 - Housing: thermoplastic high temp.U94V-0; Color: white.
 - Latch: thermoplastic high temp.U94V-0; Color: black.
 - Terminal: copper alloy.
 - Fitting Nail: copper alloy.
 - Finish:
 - Terminal Underplating: Gold flash overall.
 - Fitting Nail: Underplating: matt Tin overall.
 - Product must comply HF RoHS specification.
 - Rating:
 - Operating Voltage: 50V AC/DC.
 - Current Rating: 0.5A AC/DC.
 - Operating Temperature: -40°C~+85°C.
 - Product No:



SERIES NUMBER _____

PLATING _____

F:Gold flash _____ CKTS _____

U:Gold flash 2u" _____

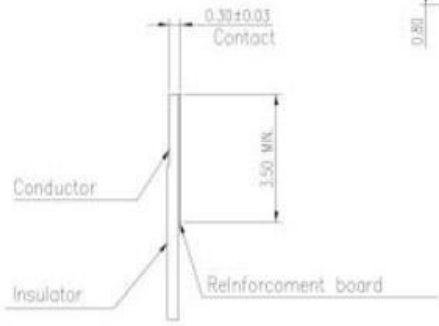
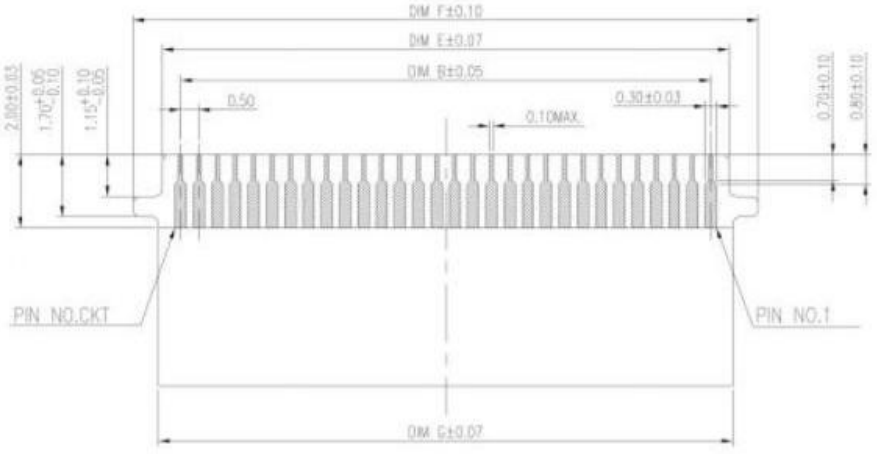
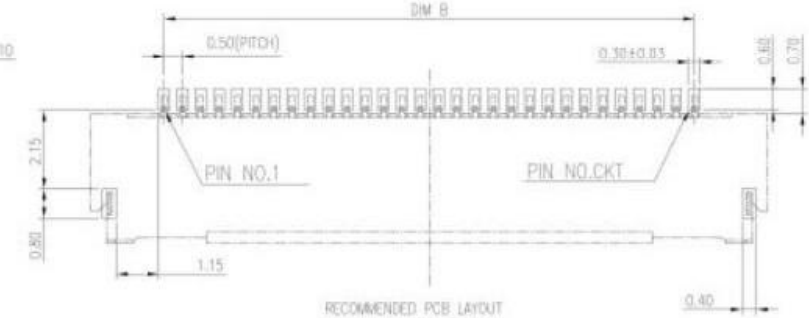
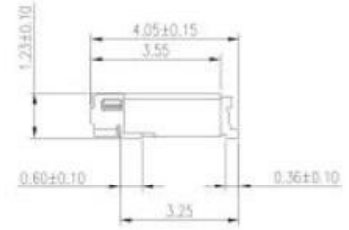
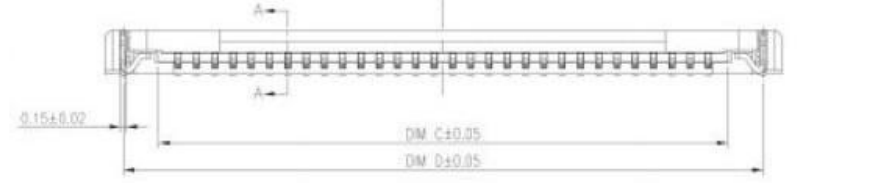
H:Gold flash 3u" _____

G:Gold flash 10u" _____

REMARKS
HF:Halogen free
OO:RoHS

PACKING
1:Tube
3:Tape&Reel

COLOUR
Q:White



RECOMMENDED PCB LAYOUT
GENERAL TOLERANCE ±0.05
(RECOMMENDED STENCIL THICKNESS:0.12mm)

TABLE OF DIM.

CKTS No.	DIM A	DIM B	DIM C	DIM D	DIM E	DIM F	DIM G	DIM H
14	10.50	6.50	7.57	9.50	7.50	9.10	7.70	9.20
30	18.50	14.50	15.57	17.50	15.50	17.10	15.70	17.20
40	23.50	19.50	20.57	22.50	20.50	22.10	20.70	22.20
45	26.00	22.00	23.07	25.00	23.00	24.60	23.20	24.70
50	28.50	24.50	25.57	27.50	25.50	27.10	25.70	27.20

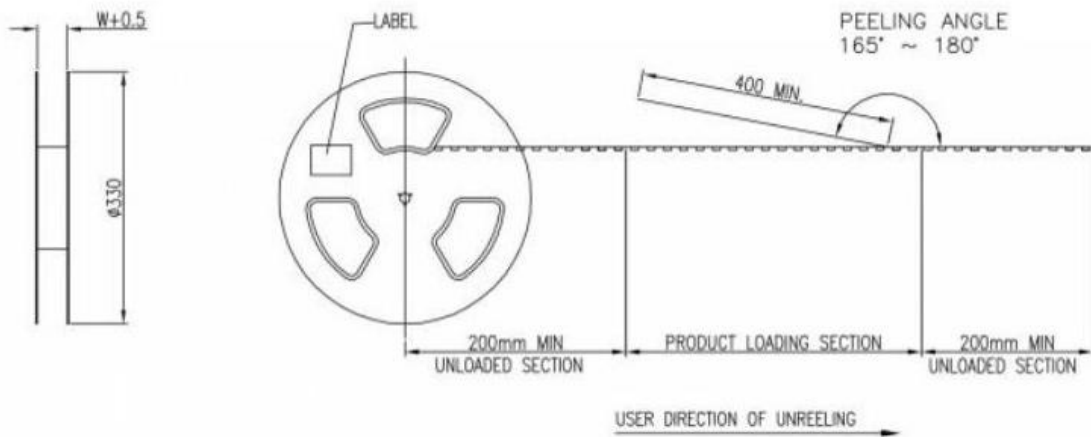
RECOMMENDED FFC/FFC DIMENSION
GENERAL TOLERANCE ±0.03
(THICKNESS:0.3±0.03)

GENERAL TOLERANCE		DRAWN	Jan xia	03/11'20	SCALE	PART NO.	CUSTOMER DRAWING
X.±0.30	x'±3'	CHECKED	Shengjie Chu	03/11'20	1/1	TITLE	
.X±0.25	.x'±2'	APPROVED	Cunfa Lai	03/11'20	UNITS	mm	
.XX±0.20		File NO.					
.XXX±0.10		REV.					
SHEET	1/2	Q'TY	1	A			

注: 此文件为双方检验的唯一标准
This document is the only standard for inspection by both parties.

广东科斯达开关厂

REV.	ECN.NO.	MODIFY.CONTENT	DATE
A		正式发行	03/11'20



- NOTES :
- MATERIAL :
COVER TAPE : P.S T=0.05mm
CARRIER TAPE : P.S T=0.30mm
CARTON: CORRUGATED FIBER
 - DIMENSION :
REEL : SEE DRAWING
SHIPPING BOX: 350X350X300mm
 - QUANTITY : SEE TABLE
 - PEELING RESISTANCE : 10gf~130gf
 - PEELING SPEED : 300mm/MINUTES

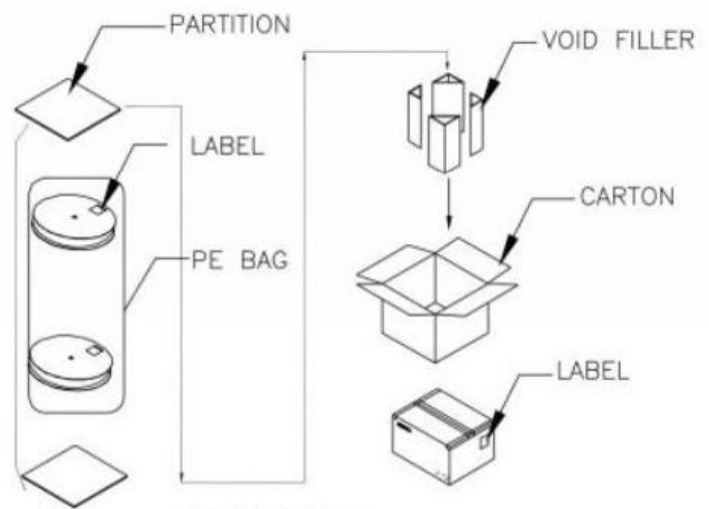
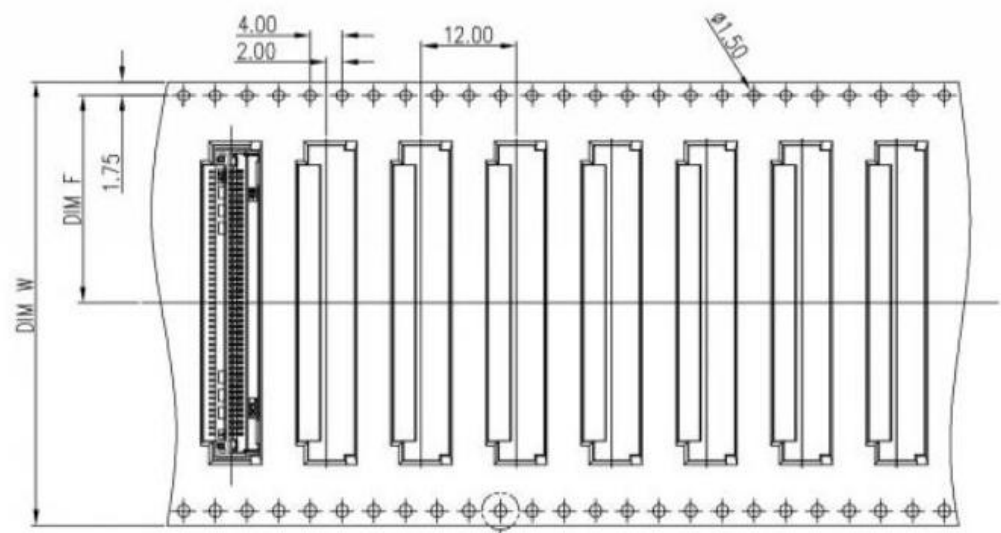


TABLE OF DIM.

CKTS No	PCS/REEL	BOX/REEL	DIM W	DIM F
30	2500	20000	32	16.20
40	2500	15000	44	20.20
45	2500	15000	44	20.20
50	2500	10000	56	26.20

GENERAL TOLERANCE		DRAWN	Jan xia	03/11'20	SCALE	PART NO.
X.±0.30	x.'±3'	CHECKED	Shengjie Chu	03/11'20	1/1	TITLE
.X±0.25	.x'± 2'	APPROVED	Cunfa Lai	03/11'20	UNITS	mm
.XX±0.20		File NO.				CUSTOMER DRAWING
.XXX±0.10		REV.				
SHEET	2/2	QTY	1	A		

广东科斯达开关厂

RECD 24.03.2019 10:05:00
This document is the only standard for inspection by both parties.