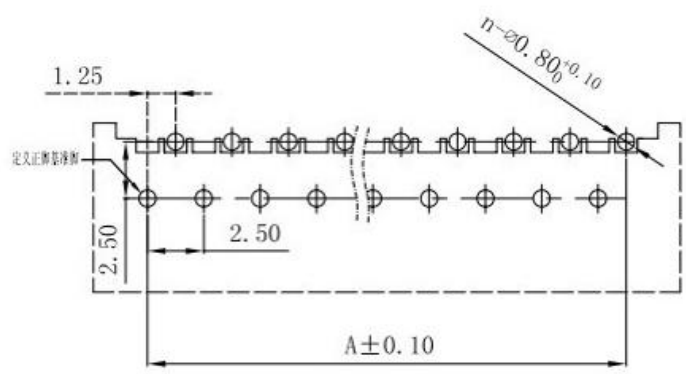
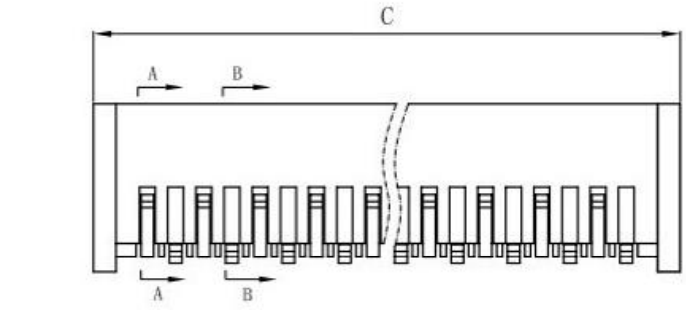
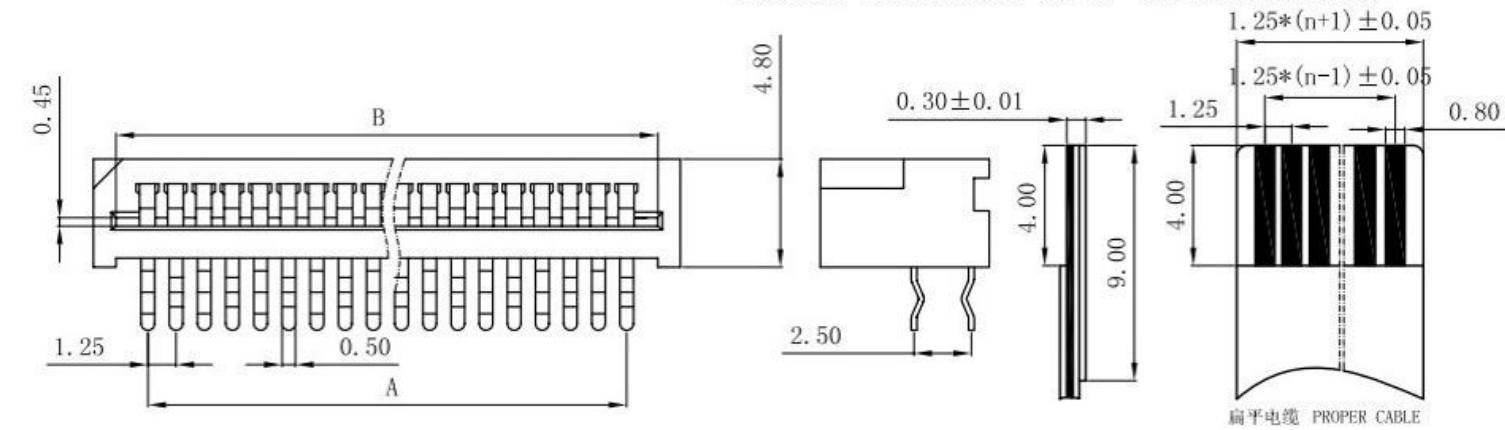
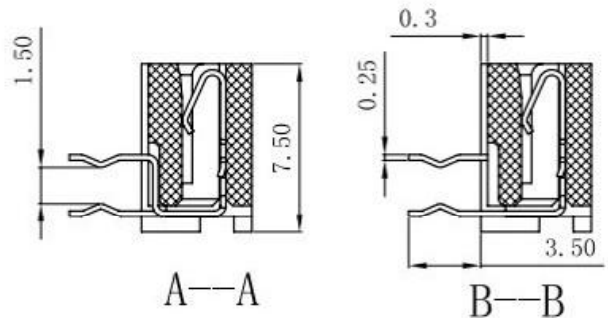


PITCH 1.25mm FPC CONNECTORS



P.C.B Layout



性能:
 额定电流: 1A
 额定电压: 200V
 耐电压: 500V
 接触电阻: < 20mΩ
 绝缘电阻: 500MΩ
 工作温度: -20℃ ~ +85℃
 塑件 (材质): PBT, UL94V-0
 插簧 (材质): 磷青铜, 镀锡/镀金

孔位	A	B	C
4	3.75	6.25	8.55
5	5.00	7.50	9.80
6	6.25	8.75	11.05
7	7.50	10.00	12.30
8	8.75	11.25	13.55
9	10.00	12.50	14.80
10	11.25	13.75	16.05
11	12.50	15.00	17.30
12	13.75	16.25	18.55
13	15.00	17.50	19.80
14	16.25	18.75	21.05
15	17.50	20.00	22.30
16	18.75	21.25	23.55
17	20.00	22.50	24.80
18	21.25	23.75	26.05
19	22.50	25.00	27.30
20	23.75	26.25	28.55
21	25.00	27.50	29.80
22	26.25	28.75	31.05
23	27.50	30.00	32.30
24	28.75	31.25	33.55
25	30.00	32.50	34.80
26	31.25	33.75	36.05
27	32.50	35.00	37.30
28	33.75	36.25	38.55
29	35.00	37.50	39.80
30	36.25	38.75	41.05
31	37.50	40.00	42.30
32	38.75	41.25	43.55
33	40.00	42.50	44.80
34	41.25	43.75	46.05
35	42.50	45.00	47.30
36	43.75	46.25	48.55
37	45.00	47.50	49.80
38	46.25	48.75	51.05
39	47.50	50.00	52.30
40	48.75	51.25	53.55

$X \pm 0.3$	$X^\circ \pm 5^\circ$	UNITS	mm	科斯达电子科技有限公司
$.X \pm 0.25$	$.X^\circ \pm 2^\circ$	MAT'L		
$.XX \pm 0.20$	$.XX^\circ \pm 1^\circ$	FINISH		
$.XXX \pm 0.10$	$.XXX^\circ \pm 0.5^\circ$	QTY		
THESE DRAWINGS AND SPECIFICATIONS ARE THE PROPERTY OF DE RUI ELECTRON FACTORY AND SHALL NOT BE REPRODUCED, COPIED OR USED IN ANY MANNER WITHOUT THE PRIOR WRITTEN CONSENT OF DE RUI ELECTRON FACTORY				PART NO. (INTENDED USE)
				TITLE: 1.25mm FPC(A型)弯插(正脚)
				APPD:
				DWG NO.: 125N03-
				CHKD:
				DR: YLZ 2011.09.28
				SCALE
				1/1
				SHEET
				1/1
				REV.
				A