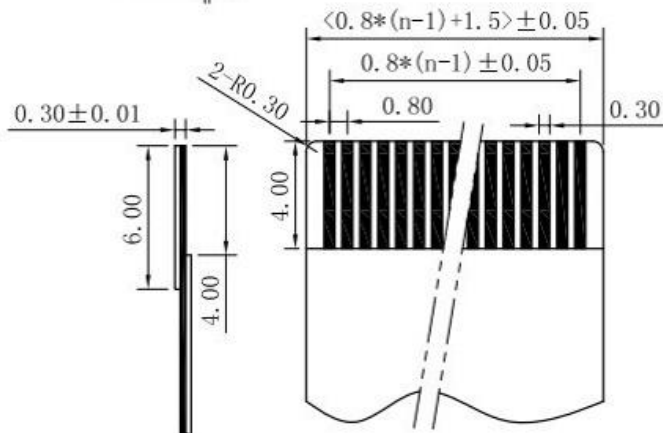
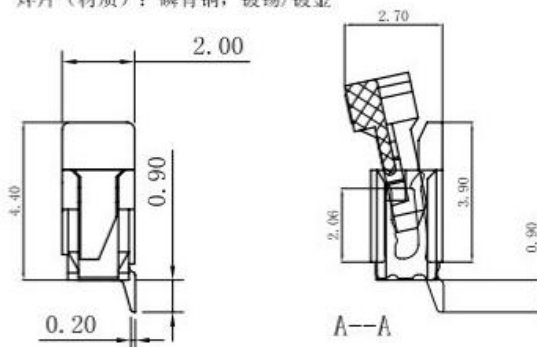
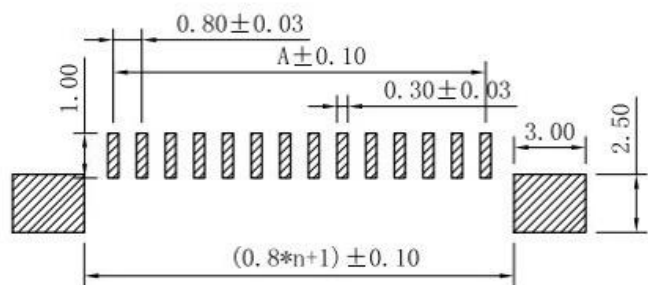
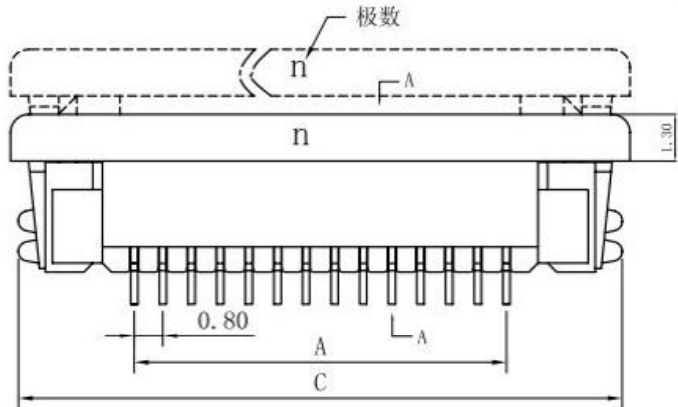
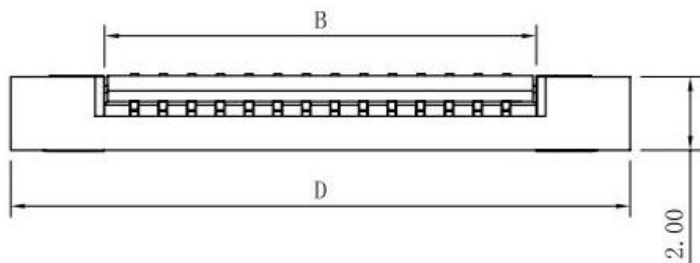


PITCH 0.8mm FPC CONNECTOR SMT TYPE

性能:

额定电流: 0.4A
 额定电压: 50V
 耐电压: 200V
 接触电阻: $\leq 20m\Omega$
 绝缘电阻: 500M Ω
 工作温度: -20℃~+85℃

塑件(材质): LCP, UL94V-0
 锁扣(材质): LCP, UL94V-0
 插簧(材质): 磷青铜, 镀锡/镀金
 焊片(材质): 磷青铜, 镀锡/镀金



适用扁平电缆

孔位	A	B	C	D
4	2.4	4	9.6	10.3
5	3.2	4.8	10.4	11.1
6	4	5.6	11.2	11.9
7	4.8	6.4	12	12.7
8	5.6	7.2	12.8	13.5
9	6.4	8	13.6	14.3
10	7.2	8.8	14.4	15.1
11	8	9.6	15.2	15.9
12	8.8	10.4	16	16.7
13	9.6	11.2	16.8	17.5
14	10.4	12	17.6	18.3
15	11.2	12.8	18.4	19.1
16	12	13.6	19.2	19.9
17	12.8	14.4	20	20.7
18	13.6	15.2	20.8	21.5
19	14.4	16	21.6	22.3
20	15.2	16.8	22.4	23.1
21	16	17.6	23.2	23.9
22	16.8	18.4	24	24.7
23	17.6	19.2	24.8	25.5
24	18.4	20	25.6	26.3
25	19.2	20.8	26.4	27.1
26	20	21.6	27.2	27.9
27	20.8	22.4	28	28.7
28	21.6	23.2	28.8	29.5
29	22.4	24	29.6	30.3
30	23.2	24.8	30.4	31.1
31	24	25.6	31.2	31.9
32	24.8	26.4	32	32.7
33	25.6	27.2	32.8	33.5
34	26.4	28	33.6	34.3
35	27.2	28.8	34.4	35.1

X ± 0.3	X° ± 5°	UNITS	mm
.X ± 0.25	.X° ± 2°	MAT'L	
.XX ± 0.20	.XX° ± 1°	FINISH	
.XXX ± 0.10	.XXX° ± 0.5°	Q'TY	
THESE DRAWINGS AND SPECIFICATIONS ARE THE PROPERTY OF DE RUI ELECTRON FACTORY AND SHALL NOT BE REPRODUCED, COPIED OR USED IN ANY MANNER WITHOUT THE PRIOR WRITTEN CONSENT OF DE RUI ELECTRON FACTORY			

科斯达电子科技有限公司

PART NO. (INTENDED USE)	TITLE:
APPD:	DWG NO.:
CHKD:	0.8K-BX-nPWB
DR: YLZ 2011.09.28	SCALE SHEET REV.
	1/1 1/1 A