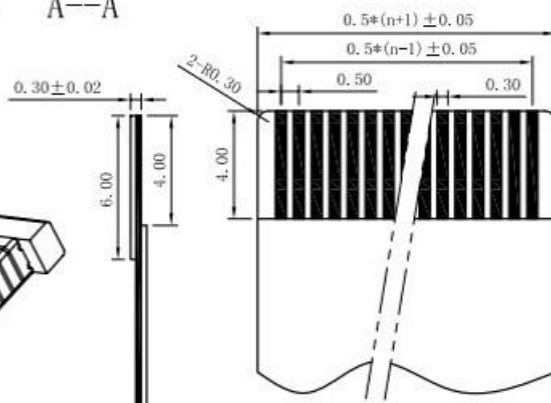
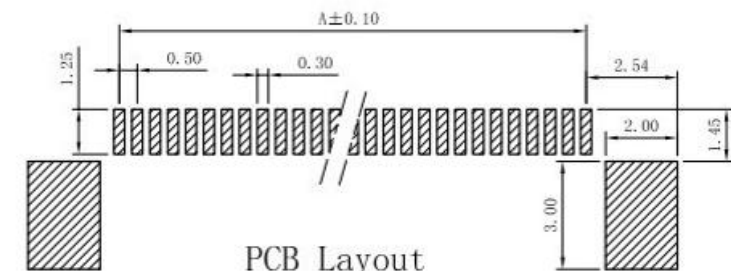
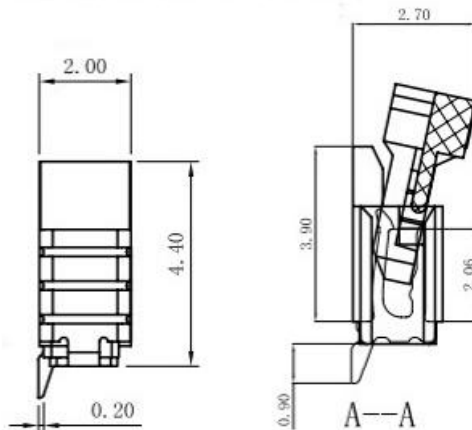
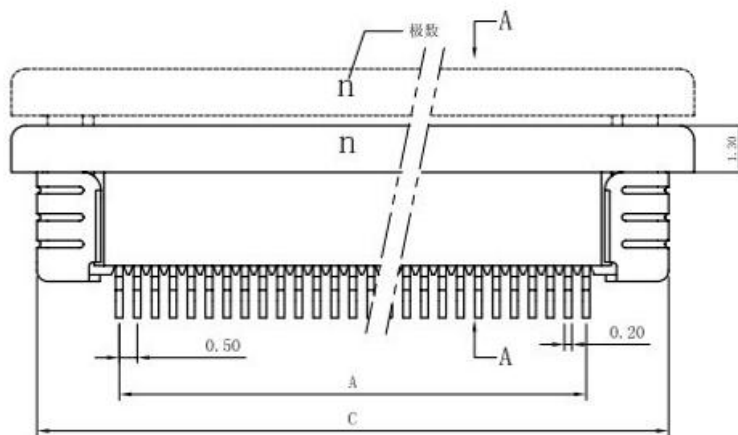
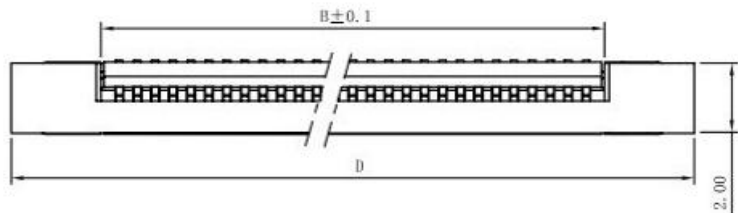


PITCH 0.5mm FPC CONNECTOR SMT TYPE

性能:

额定电流: 0.4A
 额定电压: 50V
 耐压: 200V
 接触电阻: $\leq 20m\Omega$
 绝缘电阻: 500M Ω
 工作温度: -20°C ~ +85°C

塑件 (材质): LCP, UL94V-0
 锁扣 (材质): LCP, UL94V-0
 插簧 (材质): 磷青铜, 镀锡/镀金
 焊片 (材质): 磷青铜, 镀锡/镀金



适用扁平电缆

| 孔位 | A | B | C | D |
|----|-------|-------|-------|-------|
| 4 | 1.50 | 2.60 | 6.35 | 7.65 |
| 5 | 2.00 | 3.10 | 6.85 | 8.15 |
| 6 | 2.50 | 3.60 | 7.35 | 8.65 |
| 7 | 3.00 | 4.10 | 7.85 | 9.15 |
| 8 | 3.50 | 4.60 | 8.35 | 9.65 |
| 9 | 4.00 | 5.10 | 8.85 | 10.15 |
| 10 | 4.50 | 5.60 | 9.35 | 10.65 |
| 11 | 5.00 | 6.10 | 9.85 | 11.15 |
| 12 | 5.50 | 6.60 | 10.35 | 11.65 |
| 13 | 6.00 | 7.10 | 10.85 | 12.15 |
| 14 | 6.50 | 7.60 | 11.35 | 12.65 |
| 15 | 7.00 | 8.10 | 11.85 | 13.15 |
| 16 | 7.50 | 8.60 | 12.35 | 13.65 |
| 17 | 8.00 | 9.10 | 12.85 | 14.15 |
| 18 | 8.50 | 9.60 | 13.35 | 14.65 |
| 19 | 9.00 | 10.10 | 13.85 | 15.15 |
| 20 | 9.50 | 10.60 | 14.35 | 15.65 |
| 21 | 10.00 | 11.10 | 14.85 | 16.15 |
| 22 | 10.50 | 11.60 | 15.35 | 16.65 |
| 23 | 11.00 | 12.10 | 15.85 | 17.15 |
| 24 | 11.50 | 12.60 | 16.35 | 17.65 |
| 25 | 12.00 | 13.10 | 16.85 | 18.15 |
| 26 | 12.50 | 13.60 | 17.35 | 18.65 |
| 27 | 13.00 | 14.10 | 17.85 | 19.15 |
| 28 | 13.50 | 14.60 | 18.35 | 19.65 |
| 29 | 14.00 | 15.10 | 18.85 | 20.15 |
| 30 | 14.50 | 15.60 | 19.35 | 20.65 |
| 31 | 15.00 | 16.10 | 19.85 | 21.15 |
| 32 | 15.50 | 16.60 | 20.35 | 21.65 |
| 33 | 16.00 | 17.10 | 20.85 | 22.15 |
| 34 | 16.50 | 17.60 | 21.35 | 22.65 |
| 35 | 17.00 | 18.10 | 21.85 | 23.15 |
| 36 | 17.50 | 18.60 | 22.35 | 23.65 |
| 37 | 18.00 | 19.10 | 22.85 | 24.15 |
| 38 | 18.50 | 19.60 | 23.35 | 24.65 |
| 39 | 19.00 | 20.10 | 23.85 | 25.15 |
| 40 | 19.50 | 20.60 | 24.35 | 25.65 |
| 41 | 20.00 | 21.10 | 24.85 | 26.15 |
| 42 | 20.50 | 21.60 | 25.35 | 26.65 |
| 43 | 21.00 | 22.10 | 25.85 | 27.15 |
| 44 | 21.50 | 22.60 | 26.35 | 27.65 |
| 45 | 22.00 | 23.10 | 26.85 | 28.15 |
| 46 | 22.50 | 23.60 | 27.35 | 28.65 |
| 47 | 23.00 | 24.10 | 27.85 | 29.15 |
| 48 | 23.50 | 24.60 | 28.35 | 29.65 |
| 49 | 24.00 | 25.10 | 28.85 | 30.15 |
| 50 | 24.50 | 25.60 | 29.35 | 30.65 |
| 51 | 25.00 | 26.10 | 29.85 | 31.15 |
| 52 | 25.50 | 26.60 | 30.35 | 31.65 |
| 53 | 26.00 | 27.10 | 30.85 | 32.15 |
| 54 | 26.50 | 27.60 | 31.35 | 32.65 |
| 55 | 27.00 | 28.10 | 31.85 | 33.15 |
| 56 | 27.50 | 28.60 | 32.35 | 33.65 |
| 57 | 28.00 | 29.10 | 32.85 | 34.15 |
| 58 | 28.50 | 29.60 | 33.35 | 34.65 |
| 59 | 29.00 | 30.10 | 33.85 | 35.15 |
| 60 | 29.50 | 30.60 | 34.35 | 35.65 |

| | | | |
|--|--------------|--------|----|
| X ± 0.3 | X° ± 5° | UNITS | mm |
| .X ± 0.25 | .X° ± 2° | MAT'L | |
| .XX ± 0.20 | .XX° ± 1° | FINISH | |
| .XXX ± 0.10 | .XXX° ± 0.5° | Q'TY | |
| THESE DRAWINGS AND SPECIFICATIONS ARE THE PROPERTY OF DE RUI ELECTRON FACTORY AND SHALL NOT BE REPRODUCED, COPIED OR USED IN ANY MANNER WITHOUT THE PRIOR WRITTEN CONSENT OF DE RUI ELECTRON FACTORY | | | |

科斯达电子科技有限公司

| | | | |
|-------------------------|-------|-------------------|-------|
| PART NO. (INTENDED USE) | | TITLE: | |
| 0.5K-AX-n*PB | | 0.5mm FPC (A型) 下接 | |
| APPD: | CHKD: | DNG NO.: | |
| DR: YLZ 2011.09.28 | | 050K05-AXB0000000 | |
| | | SCALE | SHEET |
| | | 1/1 | 1/1 |
| | | REV. | A |