

REV.	ECN.NO.	MODIFY.CONTENT	DATE
A		FIRST VERSION	2/23' 21

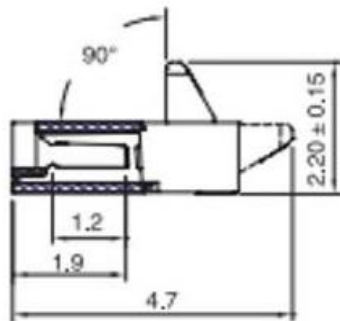
技术参数 Main Specifications

极数 CKT: 4 ~ 60
 工作温度 Working Temperature: -25°C ~ +85°C
 额定电压 Voltage rating(max): 50V, AC/DC
 接触电阻 Contact resistance: $\leq 0.03\Omega$
 绝缘电阻 Insulation resistance: $\geq 500M\Omega$
 额定电流 Current rating: 0.5A
 耐电压 Withstand voltage: 500VAC(rms)

材料 Material

接触端子 Terminal: 铜合金 Copper alloy
 塑胶本体 Housing: UL 94V-0 LCP

CKT	尺寸 Size(mm)		
	A	B	C
4	1.50	2.52	6.10
6	2.50	3.52	7.10
8	3.50	4.52	8.10
10	4.50	5.52	9.10
12	5.50	6.52	10.10
16	7.50	8.52	12.10
24	11.50	12.52	16.10
30	14.50	15.52	19.10
32	15.50	16.52	20.10
34	16.50	17.52	21.20
40	19.50	20.52	24.10
50	24.50	25.52	29.10
60	29.50	30.52	34.10



GENERAL TOLERANCE		DRAWN	Wilson Sun	02/23'21	SCALE	PART NO.	
X.±0.30	x'.±3.0'	CHECKED	SHENGJIE CHU	02/23'21	1/1	TITLE	0.5 Pitch B=1.5 Auto-Lock FPC
.X±0.25	.x'±2.0'	APPROVED	CUNFA LAI	02/23'21	UNITS	mm	CUSTOMER DRAWING
.XX±0.20		File NO.					
.XXX±0.10		REV.					
SHEET	1/3	QTY	1	A			

广东科斯达开关厂