

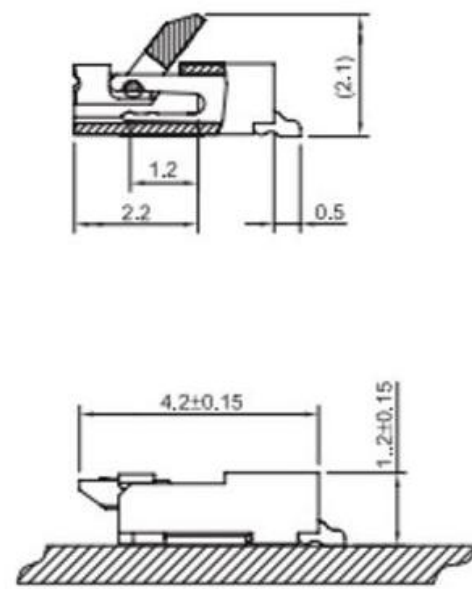
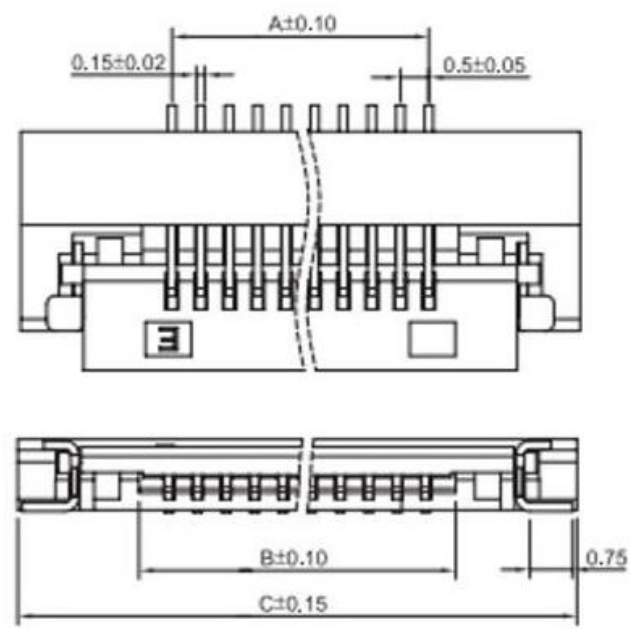
REV.	ECN.NO.	MODIFY.CONTENT	DATE
A		FIRST VERSION	2/23' 21

技术参数 Main Specifications

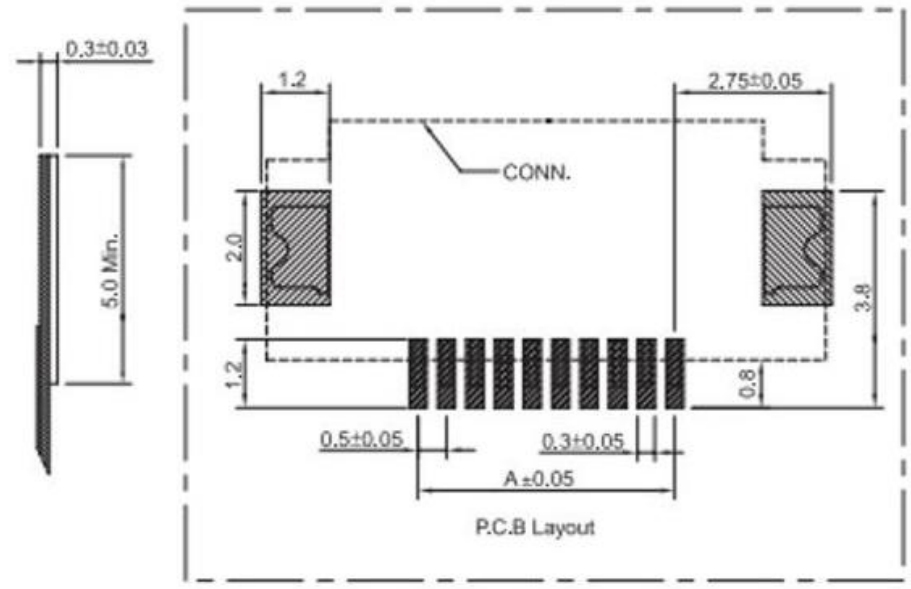
极数 CKT: 4 ~ 60
 工作温度 Working Temperature: $-25^{\circ}\text{C} \sim +85^{\circ}\text{C}$
 额定电压 Voltage rating(max): 50V, AC/DC
 接触电阻 Contact resistance: $\leq 0.03\Omega$
 绝缘电阻 Insulation resistance: $\geq 500\text{M}\Omega$
 额定电流 Current rating: 0.5A
 耐电压 Withstand voltage: 500VAC(rms)

材 料 Material

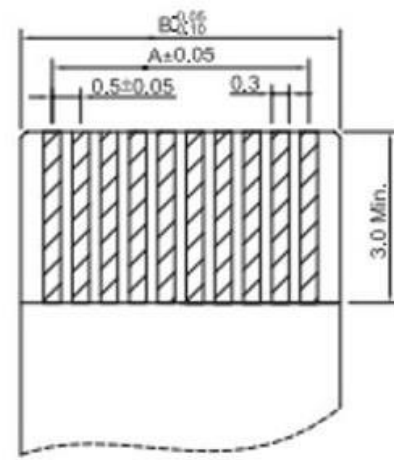
接触端子 Terminal: 铜合金 Copper alloy
 塑胶本体 Housing: UL 94V-0 LCP



ASSEMBLY LAYOUT



P.C.B Layout



Applicable Flat Cable

CKT	尺寸 Size(mm)		
	A	B	C
4	1.50	2.55	6.80
6	2.50	3.55	7.80
7	3.00	4.05	8.30
8	3.50	4.55	8.80
10	4.50	5.55	9.80
12	5.50	6.55	10.80
16	7.50	8.55	12.80
18	8.50	9.55	13.80
20	9.50	10.55	14.80
22	10.50	11.55	15.80
24	11.50	12.55	16.80
30	14.50	15.55	19.80
40	19.50	20.55	24.80
50	24.50	25.55	29.80
60	29.50	30.55	34.80

GENERAL TOLERANCE		DRAWN	Wilson Sun	02/23'21	SCALE	1/1	PART NO.	
$X \pm 0.30$	$x.^{\circ} \pm 3.0^{\circ}$	CHECKED	SHENGJIE CHU	02/23'21	TITLE	0.5 Pitch H=1.5 Auto-Lock FPC		
$.X \pm 0.25$	$.x.^{\circ} \pm 2.0^{\circ}$	APPROVED	CUNFA LAI	02/23'21	UNITS	mm	CUSTOMER DRAWING	
$.XX \pm 0.20$		File NO.						
$.XXX \pm 0.10$		REV.						
SHEET	1/3	Q'TY	1	A				

广东科斯达开关厂

此文件为双方检验的唯一标准
 This document is the only standard for inspection by both parties.