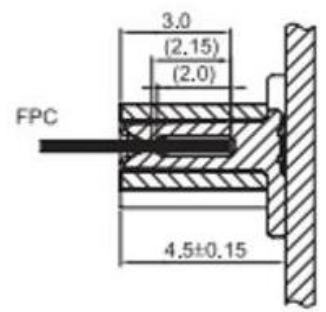
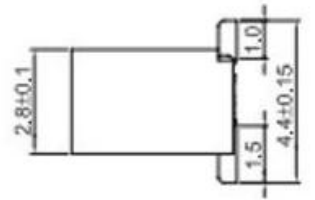
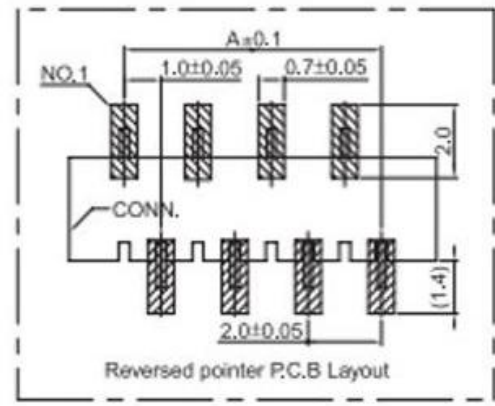
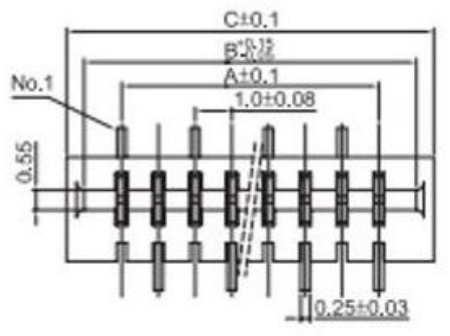


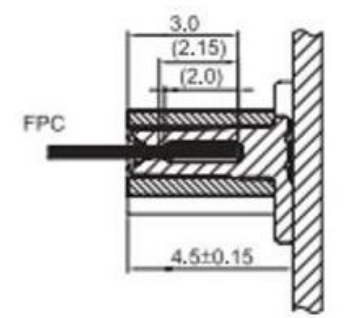
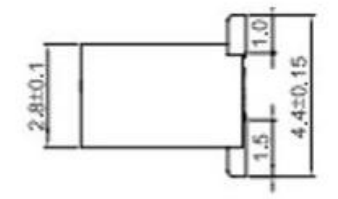
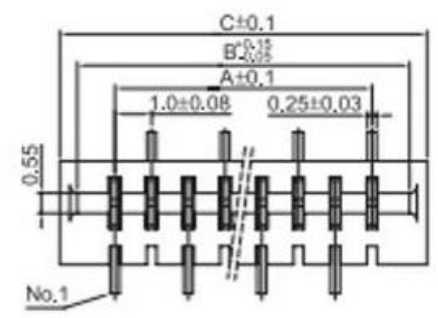
REV.	ECN.NO.	MODIFY.CONTENT	DATE
A		THE FIRST VERSION	03/07'18
B		Add normal force	12/16'20



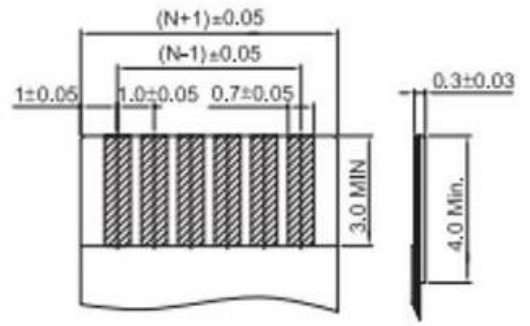
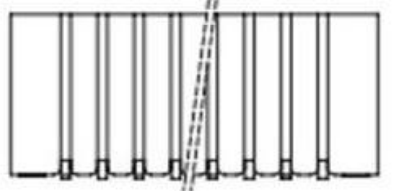
ASSEMBLY LAYOUT



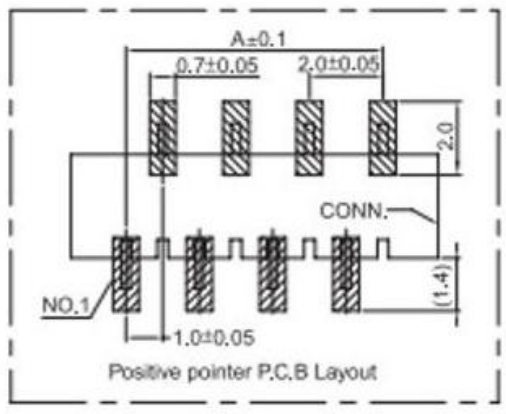
Reversed pointer P.C.B Layout



ASSEMBLY LAYOUT



Applicable Flat Cable



Positive pointer P.C.B Layout

技术参数 Main Specifications

- 极数 CKT: 4 ~ 30
- 工作温度 Working Temperature: -20°C ~ +85°C
- 额定电压 Voltage rating(max): 50V, AC/DC
- 接触电阻 Contact resistance: ≤ 0.03Ω
- 绝缘电阻 Insulation resistance: ≥ 500MΩ
- 额定电流 Current rating: 0.5A
- 耐电压 Withstand voltage: 500VAC(rms)

材料 Material

- 接触端子 Terminal: 铜合金 Copper alloy
- 塑胶本体 Housing: UL 94V-0 LCP

CKT	尺寸 Size(mm)		
	A	B	C
4	3.0	5.05	6.0
5	4.0	6.05	7.0
6	5.0	7.05	8.0
8	7.0	9.05	10.0
10	9.0	11.05	12.0
12	11.0	13.05	14.0
14	13.0	15.05	16.0
16	15.0	17.05	18.0
22	21.0	23.05	24.0
24	23.0	25.05	26.0
26	25.0	27.05	28.0
30	29.0	31.05	32.0

GENERAL TOLERANCE		DRAWN	XIAOHUI.SONG	09/27'17	SCALE	PART NO.
X.±0.30	x.*±3'	CHECKED	QUNYU.LI	09/27'17	N/A	TITLE
.X±0.25	.x*±2'	APPROVED	SKY	09/27'17	UNITS	mm
.XX±0.20		File NO.				
.XXX±0.10		REV.				
SHEET	1/1	Q'TY	1	B	广东科斯达开关厂	
CUSTOMER DRAWING						