

技术参数 Main Specifications

极数 CKT: 4 ~ 60

工作温度 Working Temperature: $-25^{\circ}\text{C} \sim +85^{\circ}\text{C}$

额定电压 Voltage rating(max): 50V, AC/DC

接触电阻 Contact resistance: $\leq 0.03\Omega$

绝缘电阻 Insulation resistance: $\geq 500\text{M}\Omega$

额定电流 Current rating: 0.5A

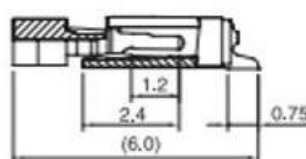
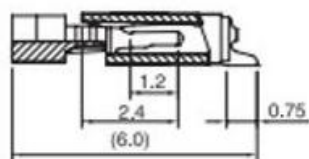
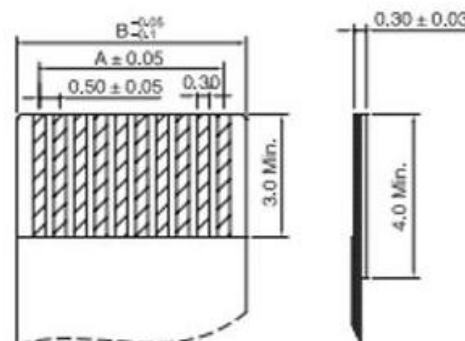
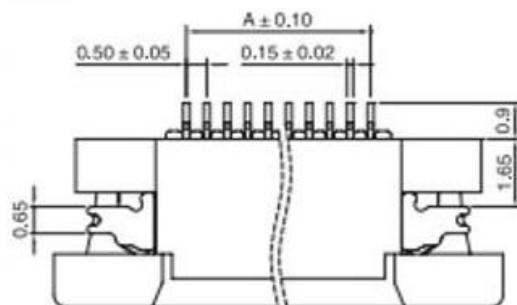
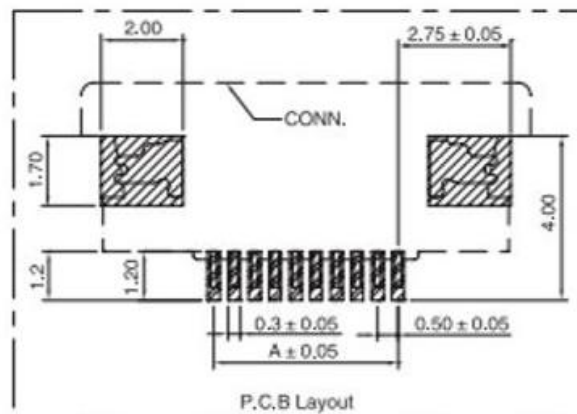
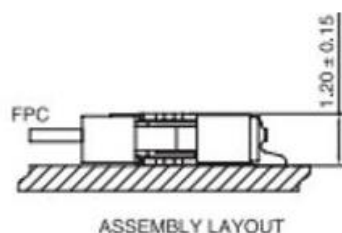
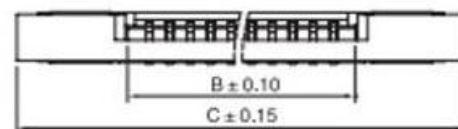
耐电压 Withstand voltage: 500VAC(rms)

材料 Material

接触端子 Terminal: 铜合金 Copper alloy

塑胶本体 Housing: UL 94V-0 LCP

REV.	ECN.NO.	MODIFY.CONTENT	DATE
A		FIRST VERSION	2/23'21



CKT	尺寸 Size(mm)		
	A	B	C
4	1.50	2.56	7.96
6	2.50	3.56	8.96
8	3.50	4.56	9.96
10	4.50	5.56	10.96
12	5.50	6.56	11.96
16	7.50	8.56	13.96
20	9.50	10.56	15.96
24	11.50	12.56	17.96
26	12.50	13.56	18.96
30	14.50	15.56	20.96
36	17.50	18.56	23.96
40	19.50	20.56	25.96
50	24.50	25.56	30.96
53	26.00	27.06	32.46
60	29.50	30.56	35.96

GENERAL TOLERANCE		DRAWN	Wilson Sun	02/23'21	SCALE	PART NO.	
X.±0.30	x.'±3.0'	CHECKED	SHENGJIE CHU	02/23'21	1/1	TITLE	0.5 Pitch B=1.5 Auto-Lock FPC
.X±0.25	.x'±2.0'	APPROVED	CUNFA LAI	02/23'21	UNITS	mm	CUSTOMER DRAWING
.XX±0.20		File NO.					
.XXX±0.10		REV.					
SHEET	1/3	Q'TY	1	A			
<h1>广东科斯达开关厂</h1>							