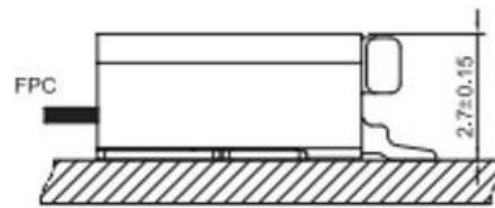
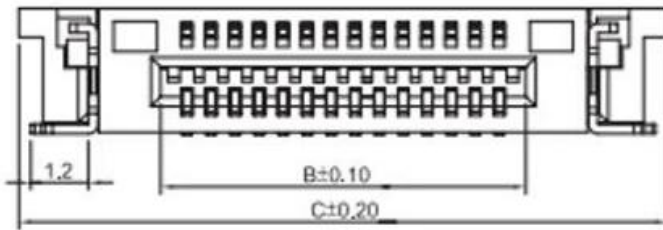
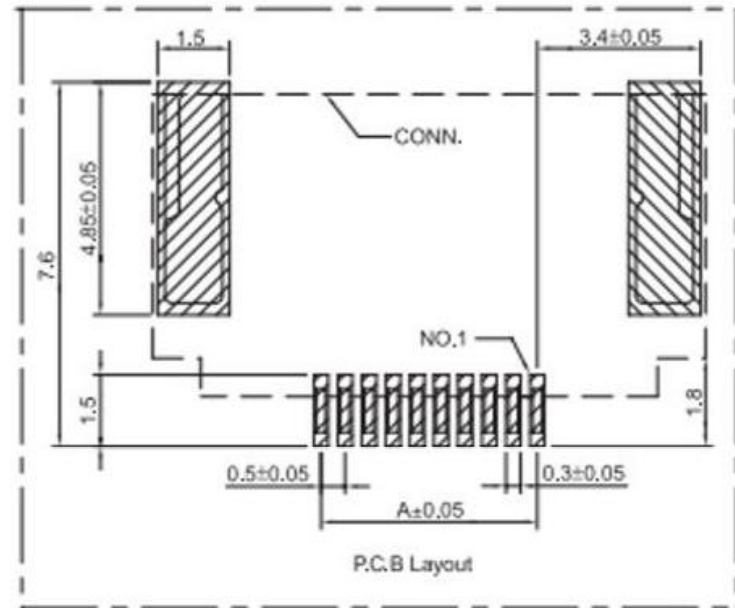


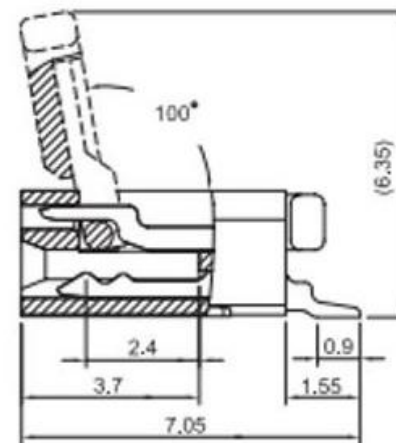
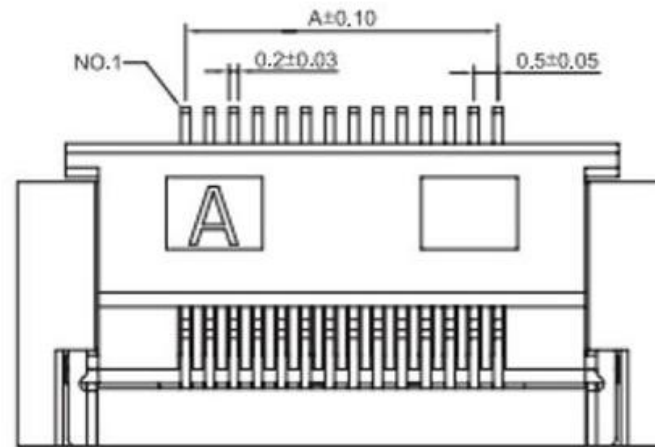
REV.	ECN.NO.	MODIFY.CONTENT	DATE
A		FIRST VERSION	2/23' 21



ASSEMBLY LAYOUT



P.C.B Layout



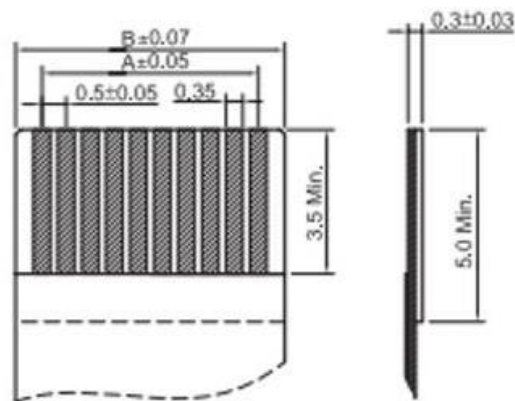
技术参数 Main Specifications

极数 CKT: 4 ~ 60
 工作温度 Working Temperature: -25°C ~ +85°C
 额定电压 Voltage rating(max): 50V, AC/DC
 接触电阻 Contact resistance: ≤ 0.03Ω
 绝缘电阻 Insulation resistance: ≥ 500MΩ
 额定电流 Current rating: 0.5A
 耐电压 Withstand voltage: 500VAC(rms)

材料 Material

接触端子 Terminal: 铜合金 Copper alloy
 塑胶本体 Housing: UL 94V-0 LCP

CKT	尺寸 Size(mm)		
	A	B	C
4	1.5	2.6	8.5
5	2.0	3.1	9.0
6	2.5	3.6	9.5
8	3.5	4.6	10.5
10	4.5	5.6	11.5
12	5.5	6.6	12.5
16	7.5	8.6	14.5
18	8.5	9.6	15.5
20	9.5	10.6	16.5
24	11.5	12.6	18.5
30	14.5	15.6	21.5
40	19.5	20.6	26.5
50	24.5	25.6	31.5
60	29.5	30.6	36.5



Applicable Flat Cable

GENERAL TOLERANCE		DRAWN	Wilson Sun	02/23'21	SCALE	1/1	PART NO.	
X.±0.30	x.±3.0'	CHECKED	SHENGJIE CHU	02/23'21	TITLE	0.5 Pitch H=1.5 Auto-Lock FPC		
.X±0.25	.x±2.0'	APPROVED	CUNFA LAI	02/23'21	UNITS	mm	CUSTOMER DRAWING	
.XX±0.20		File NO.						
.XXX±0.10		REV.						
SHEET	1/3	QTY	1	A				

广东科斯达开关厂