

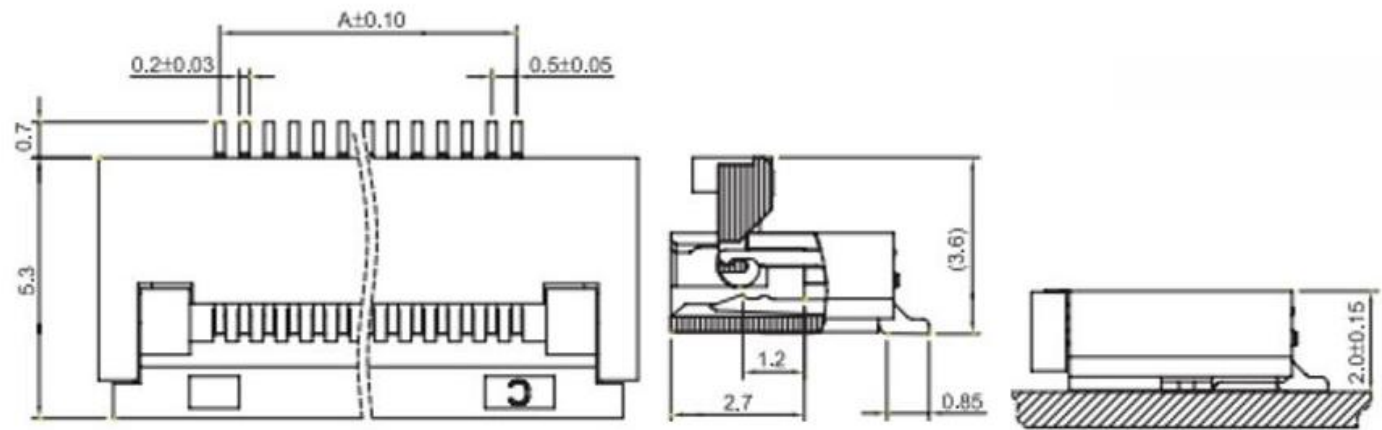
REV.	ECN.NO.	MODIFY.CONTENT	DATE
A		FIRST VERSION	2/23' 21

### 技术参数 Main Specifications

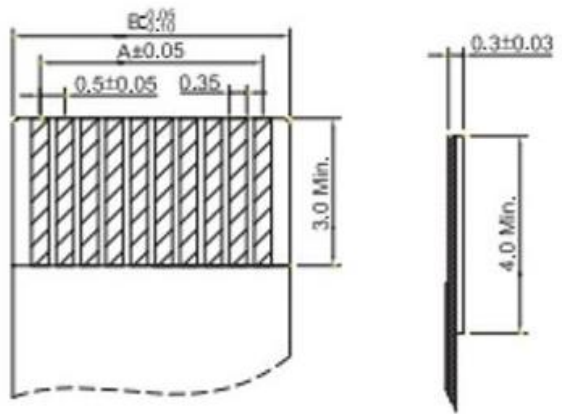
极数 CKT: 4 ~ 65  
 工作温度 Working Temperature: -25°C ~ +85°C  
 额定电压 Voltage rating(max): 50V, AC/DC  
 接触电阻 Contact resistance:  $\leq 0.03\Omega$   
 绝缘电阻 Insulation resistance:  $\geq 500M\Omega$   
 额定电流 Current rating: 0.5A  
 耐电压 Withstand voltage: 500VAC(rms)

### 材料 Material

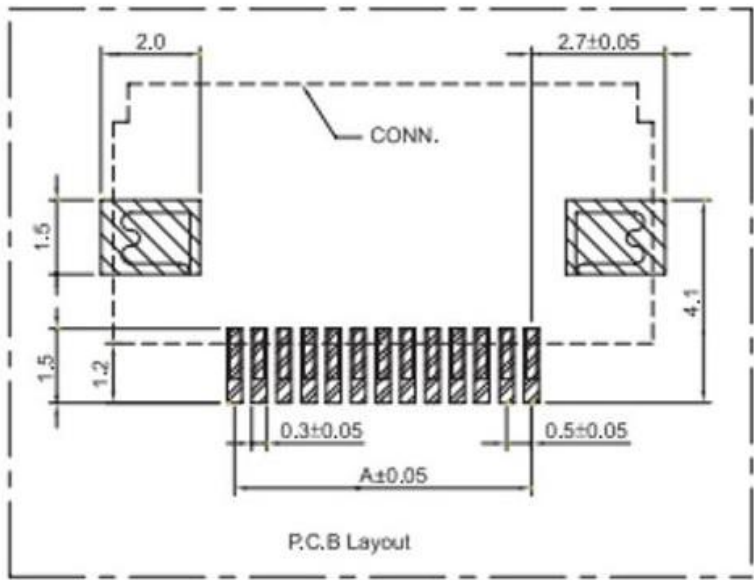
接触端子 Terminal: 铜合金 Copper alloy  
 塑胶本体 Housing: UL 94V-0 LCP



ASSEMBLY LAYOUT

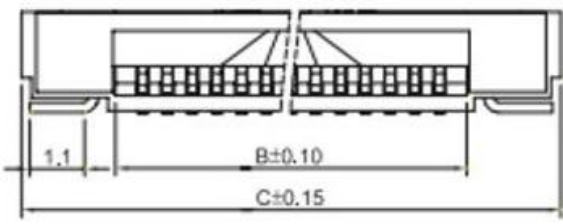


Applicable Flat Cable



P.C.B Layout

CKT	尺寸 Size(mm)		
	A	B	C
4	1.50	2.60	6.40
5	2.00	3.10	6.90
6	2.50	3.60	7.40
7	3.00	4.10	7.90
8	3.50	4.60	8.40
10	4.50	5.60	9.40
12	5.50	6.60	10.40
16	7.50	8.60	12.40
20	9.50	10.60	14.40
24	11.50	12.60	16.40
25	12.00	13.10	19.90
26	12.50	13.60	17.40
30	14.50	15.60	19.40
40	19.50	20.60	24.40
45	22.00	23.10	26.90
50	24.50	25.60	29.40
51	25.00	26.10	29.90
53	26.00	27.10	30.90
60	29.50	30.60	34.40
61	30.00	31.10	34.90
64	31.50	32.60	36.40
65	32.00	33.10	36.90



GENERAL TOLERANCE		DRAWN	Wilson Sun	02/23'21	SCALE	1/1	PART NO.	
X±0.30	x'±3.0'	CHECKED	SHENGJIE CHU	02/23'21	TITLE	0.5 Pitch H=1.5 Auto-Lock FPC		
.X±0.25	.x'±2.0'	APPROVED	CUNFA LAI	02/23'21	UNITS	mm	CUSTOMER DRAWING	
.XX±0.20		File NO.						
.XXX±0.10		REV.						
SHEET	1/3	Q'TY	1	A				

广东科斯达开关厂