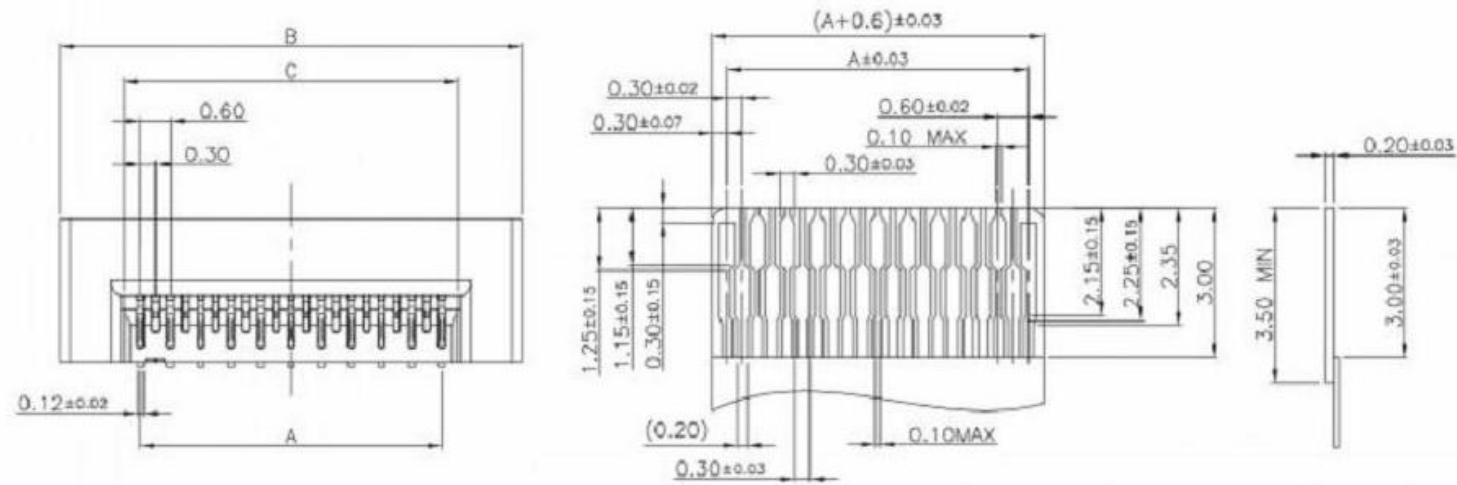
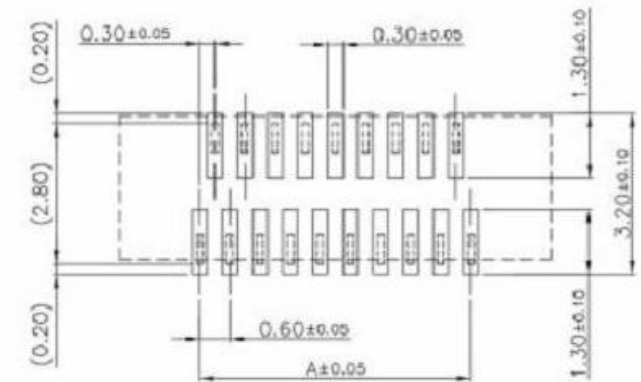
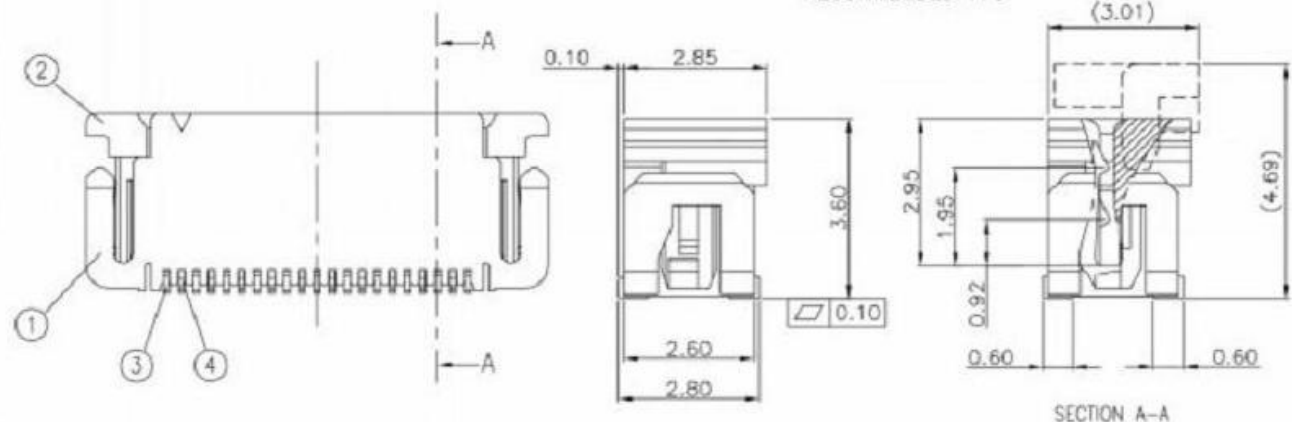


REV	ECN.NO.	MODIFY.CONTENT	DATE
A		初版发行	06/21'17



15.00	18.20	15.66	51
14.40	17.60	15.06	49
13.80	17.00	14.46	47
13.20	16.40	13.86	45
12.60	15.80	13.26	43
12.00	15.20	12.66	41
11.40	14.60	12.06	39
10.80	14.00	11.46	37
10.20	13.40	10.86	35
9.60	12.80	10.26	33
9.00	12.20	9.66	31
8.40	11.60	9.06	29
7.80	11.00	8.46	27
7.20	10.40	7.86	25
6.60	9.80	7.26	23
6.00	9.20	6.66	21
5.40	8.60	6.06	19
4.80	8.00	5.46	17
4.20	7.40	4.86	15
A	B	C	No. of Contacts



NOTES:

Base: Heat resistance plastic UL 94V-0(Color: Natural)  
 Cap: Heat resistance plastic UL 94V-0(Color: Black)  
 Terminate: phosphor copper Plating:Gold plated over nickel overall

Current Rating: 0.2A DC  
 Voltage Rating: 50V AC Max  
 Temperature Range: -25°C~+85°C  
 Contact Resistance: 100 mΩ Max  
 Insulation Resistance: 100 MΩ Min  
 Withstanding Voltage: 200V AC/minute

Au plating  
 Pin number  
 Reel packing  
 Natural color

				GENERAL TOLERANCE		DRAWN	ryan	06/21'17	SCALE	PART NO.		
4	CONTACT A	(N-1)/2	phosphor copper	Au PLATED	X±0.30	x'±1'	CHECKED	qunyu.li	06/21'17	6/1	TITLE	0.3 FPC vertical TYPE
3	CONTACT B	(N+1)/2	phosphor copper	Au PLATED	.X±0.25	.x'±0.1'	APPROVED	Sky.he	06/21'17	UNITS	mm	成品SPEC图
2	CAP	1	Heat resistance plastic	UL 94V-0,Black	.XX±0.20		File NO.					
1	BASE	1	Heat resistance plastic	UL 94V-0,Natural	.XXX±0.10		REV.					
NO.	DESCRIPTION	QTY	MATERIAL	REMARK	SHEET	1/1	Q'TY	1	A			

广东科斯达开关厂