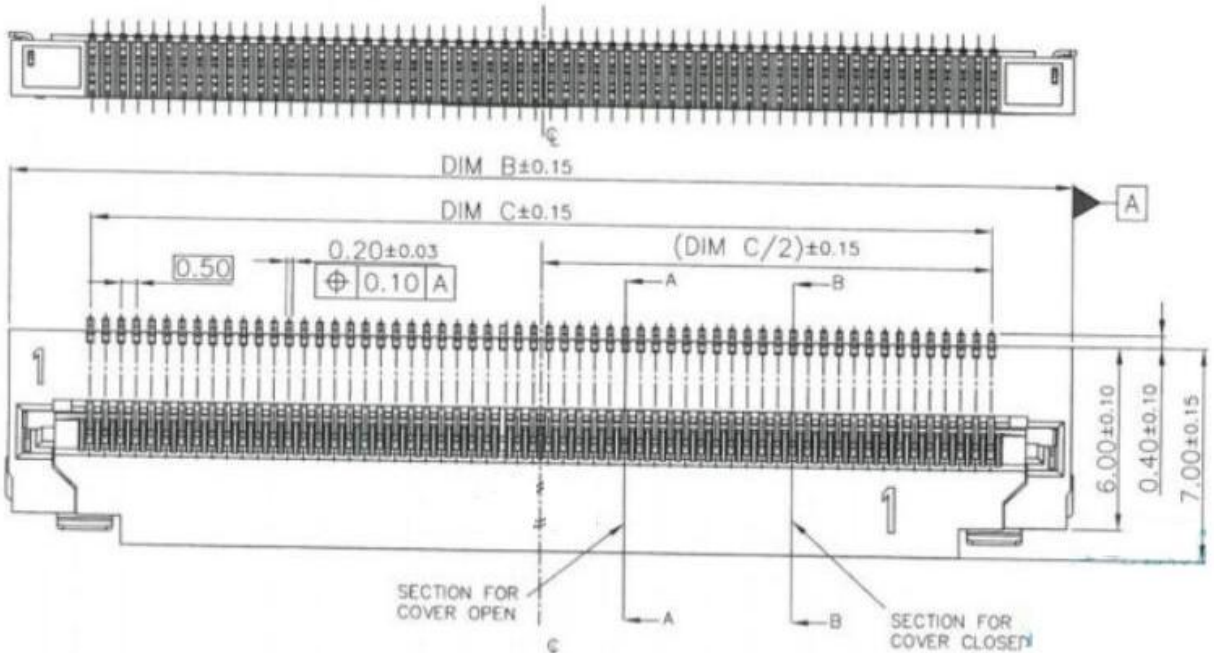
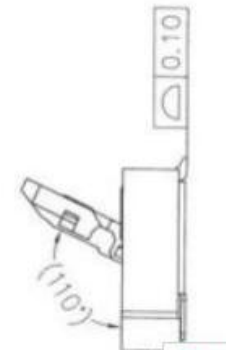
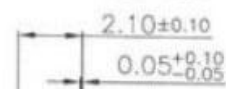


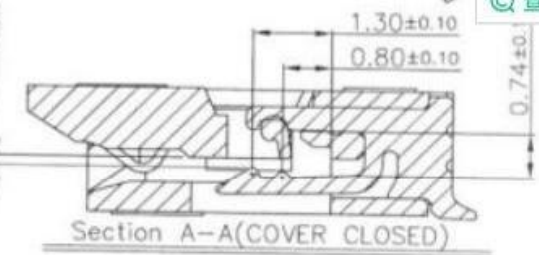
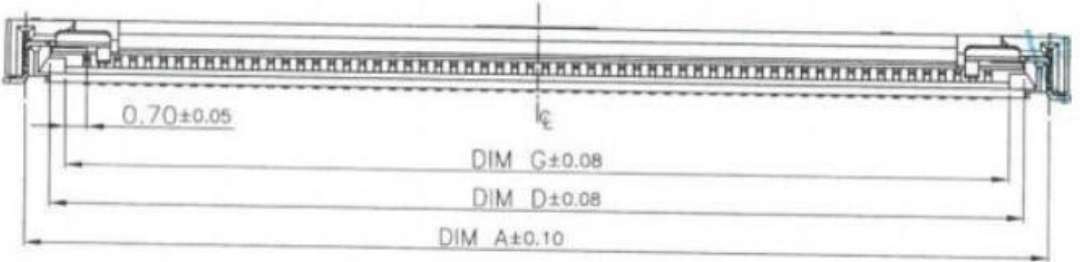
REV.	ECN.NO.	MODIFY.CONTENT	DATE
A		初版发行	01/05' 21



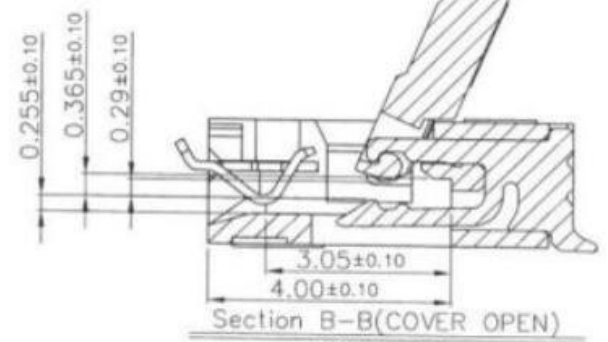
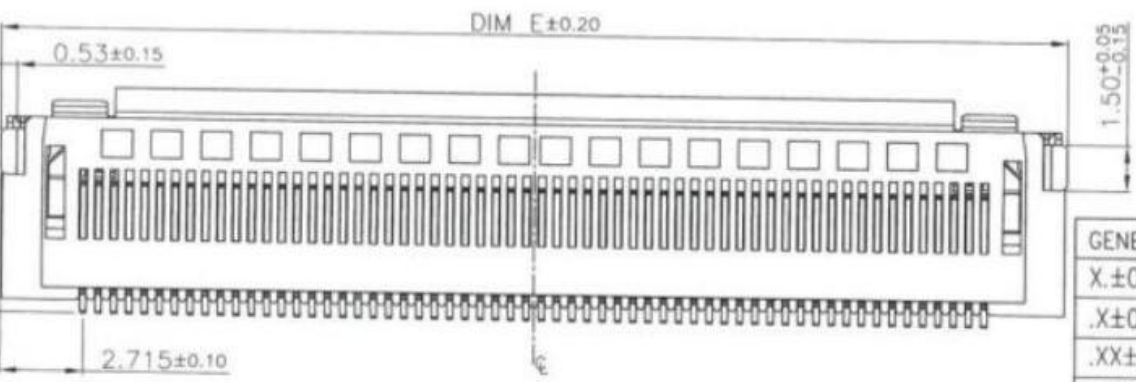
3D VIEW



查版权



SCALE 2:1

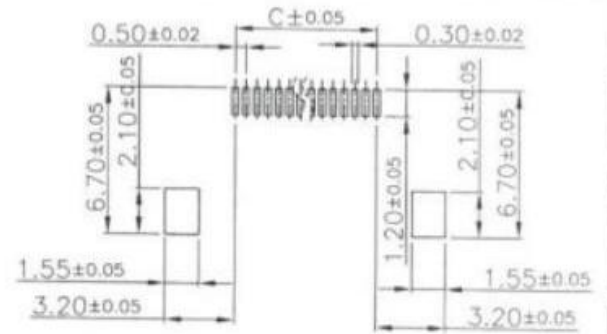
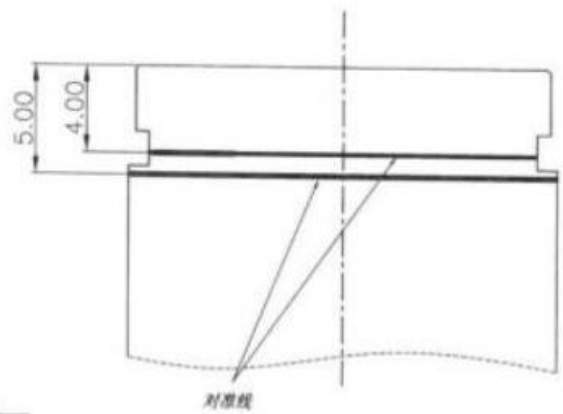
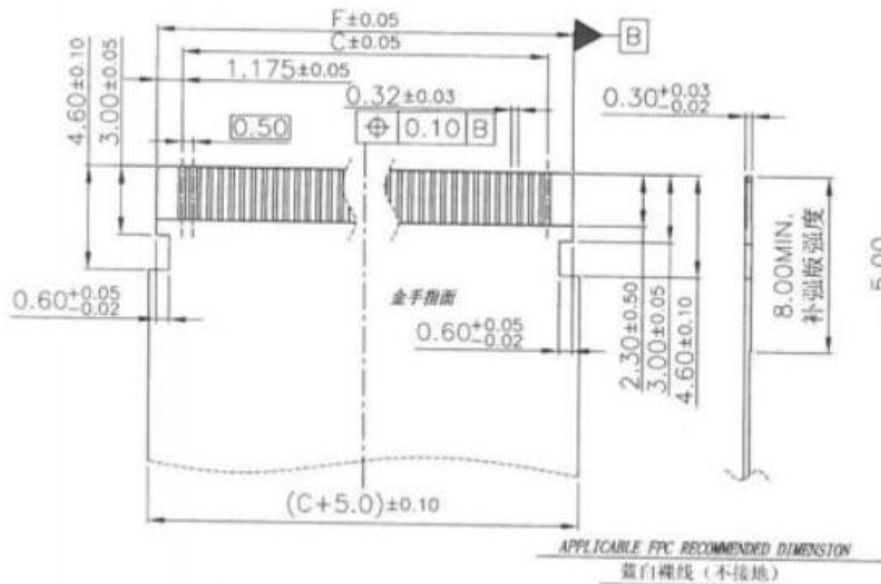


SCALE 2:1

GENERAL TOLERANCE		DRAWN	Wilson Sun	2021.01.05	SCALE	1/1	PART NO.	
X ± 0.30	x. ± 3'	CHECKED	Shengjie Chu	2021.01.05			TITLE	0.5 FPC CONN
.X ± 0.25	.x. ± 2'	APPROVED	Cunfa Lai	2021.01.05			UNITS	mm
.XX ± 0.20			File NO.					CUSTOMER DRAWING
.XXX ± 0.10			REV.					
SHEET	1/3	Q'TY	1	A				

广东科斯达开关厂

REV.	ECN.NO.	MODIFY.CONTENT	DATE
A		初版发行	01/05'21

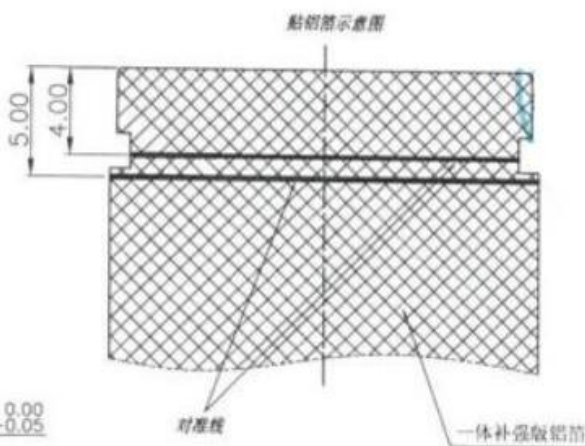
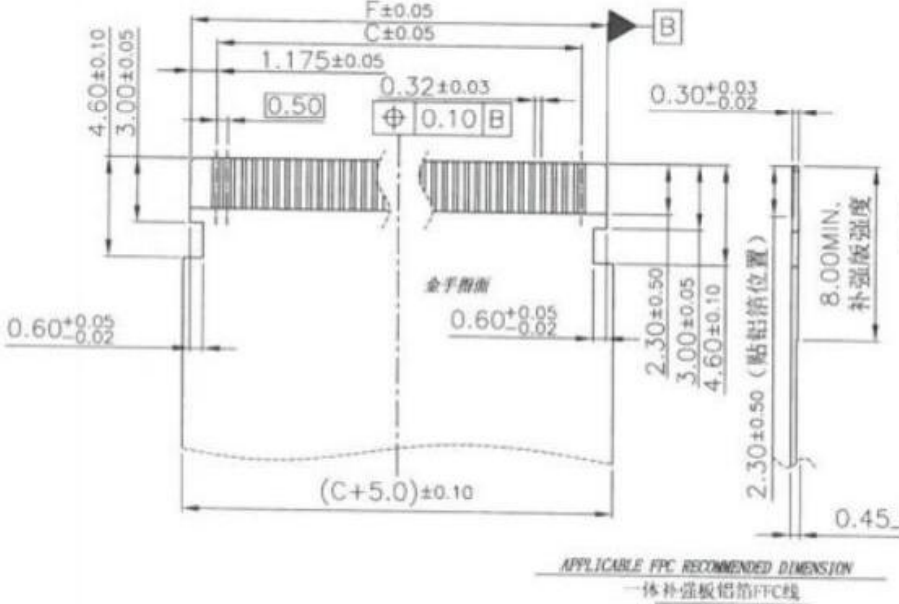


P.C.B LAYOUT

NOTES:
 Housing: LCP PLASTIC (Color: Natural) UL 94V-0
 COVER: LCP PLASTIC (Color: Black) UL 94V-0
 Terminal: PHOSPHOR COPPER, Gold flash plating on contact area over Ni 30~150u"
 Hook: PHOSPHOR COPPER, Sn 50~200u" over Ni 30~150u"
 Current Rating: 0.5A DC
 Voltage Rating: 50V AC Max
 Temperature Range: -40°C~+85°C
 Contact Resistance: 30 mΩ Max
 Insulation Resistance: 100 MΩ Min
 Withstanding Voltage: 500V AC/minute

TABLE OF DIM.

POS.	A	B	C	D	E	F	G
96	51.53	52.80	47.50	49.90	52.93	49.85	48.90
90	43.53	44.80	39.50	41.90	44.93	41.85	40.90
68	37.53	38.80	33.50	35.90	38.93	35.85	34.90
60	33.53	34.80	29.50	31.90	34.93	31.85	30.90
59	33.03	34.30	29.00	31.40	34.43	31.35	30.40
51	29.03	30.30	25.00	27.40	30.43	27.35	26.40
50	28.53	29.80	24.50	26.90	29.93	26.85	25.90
42	24.53	25.80	20.50	22.90	25.93	22.85	21.90
41	24.03	25.30	20.00	22.40	25.43	22.35	21.40
30	18.53	19.80	14.50	16.90	19.93	16.85	15.90
28	17.53	18.80	13.50	15.90	18.93	15.85	14.90
25	16.03	17.30	12.00	14.40	17.43	14.35	13.40
20	13.53	14.80	9.50	11.90	14.93	11.85	10.90
15	11.03	12.30	7.00	9.40	12.43	9.35	8.40
10	8.53	9.80	4.50	6.90	9.93	6.85	5.90



- FPC Type
- Serial number
- F: Gold flash
- T: Matte Tin flash
- No. of circuits
- 00: Rohs
- HF: Halogen free
- 2: With mylar & Reel packing
- 3: Without mylar & Reel packing
- 0: Natural
- 1: Black

GENERAL TOLERANCE	DRAWN	Wilson Sun	2021.01.05	SCALE	PART NO.
X±0.30	x.*±1'	CHECKED	Shengjie Chu	2021.01.05	1/1
.X±0.25	.x.*±0.1'	APPROVED	Cunfa Lai	2021.01.05	UNITS
.XX±0.20		File NO.			mm
.XXX±0.10		REV.			
SHEET 2/3	Q'TY 1	A			

广东科斯达开关厂

CUSTOMER DRAWING

0.5 FPC CONN

REV.	ECN.NO.	MODIFY.CONTENT	DATE
A		初版发行	01/05' 21

- NOTES :
- MATERIAL :
COVER TAPE : P.S T=0.05mm
CARRIER TAPE : P.S T=0.35mm
CARTON: CORRUGATED FIBER
 - DIMENSION :
REEL : SEE DRAWING
SHIPPING BOX: 350X350X300mm
 - QUANTITY : SEE TABLE
 - PEELING RESISTANCE : 10gf~130gf
 - PEELING SPEED : 300mm/MINUTES

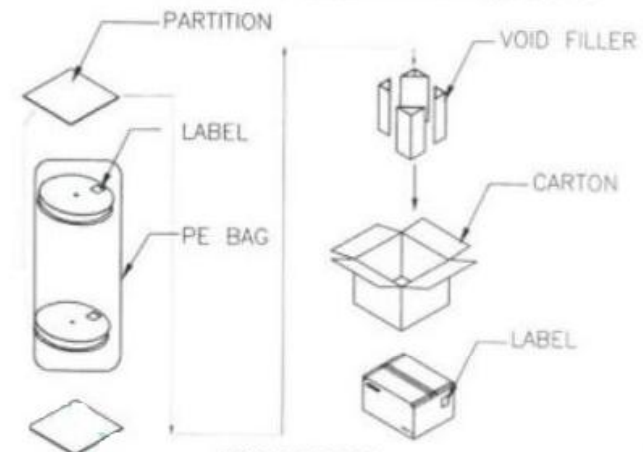
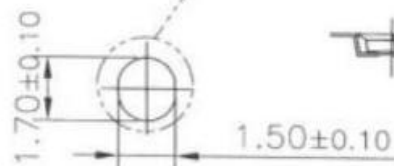
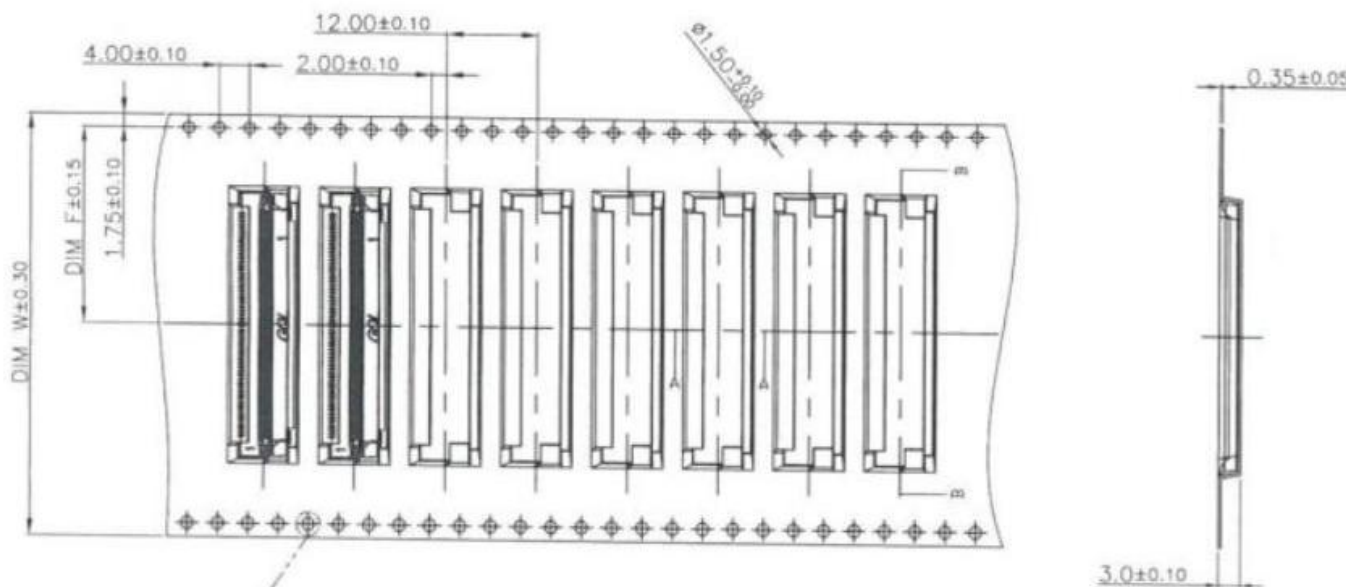
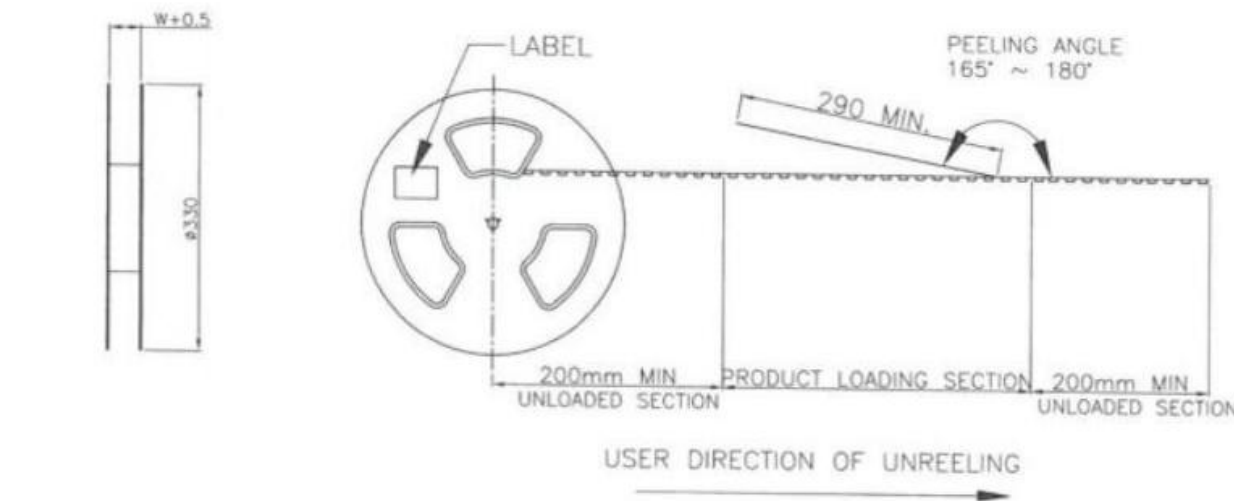


TABLE OF DIM.

POS.	PCS/REEL	BOX/REEL	DIM W	DIM F
96	2000	6000	72	34.20
80	2000	6000	72	34.20
68	2000	8000	56	26.20
60	2000	8000	56	26.20
59	2000	8000	56	26.20
51	2000	10000	44	20.20
50	2000	10000	44	20.20
42	2000	10000	44	20.20
41	2000	10000	44	20.20
30	2000	14000	32	14.20
28	2000	14000	32	14.20
25	2000	14000	32	14.20
20	2000	18000	24	10.20
15	2000	18000	24	10.20
10	2000	18000	24	10.20



GENERAL TOLERANCE		DRAWN	Wilson Sun	2021.01.05	SCALE	PART NO.
X.±0.30	x.'±1'	CHECKED	Shengjie Chu	2021.01.05	1/1	TITLE
.XX±0.25	.x'±0.1'	APPROVED	Cunfa Lai	2021.01.05	UNITS	mm
.XX±0.20		File NO.			 CUSTOMER DRAWING	
.XXX±0.10		REV.				
SHEET	3/3	Q'TY	1	A		

广东科斯达开关厂