

# RoHS

REV	ECN NO	DESCRIPTION	DATE	NAME
A		NEW		

## Specifications

- 1.Current Rating:3Amps
- 2.Contact Resistance: 20mΩ
- 3.Insulator Resistance:1000 Megohms min.
- 4.Dielectric withstanding Voltage: AC/DC 1000V
- 5.Operating Temperature:-40℃ to+105℃
- 6.Contact Material: Copper alloy
- 7.Insulator Material:Asfollows
- 8.Plated: Asfollows

## Ordering Information

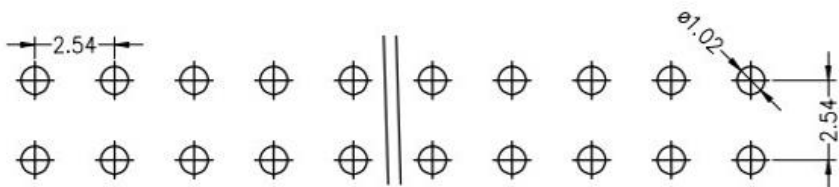
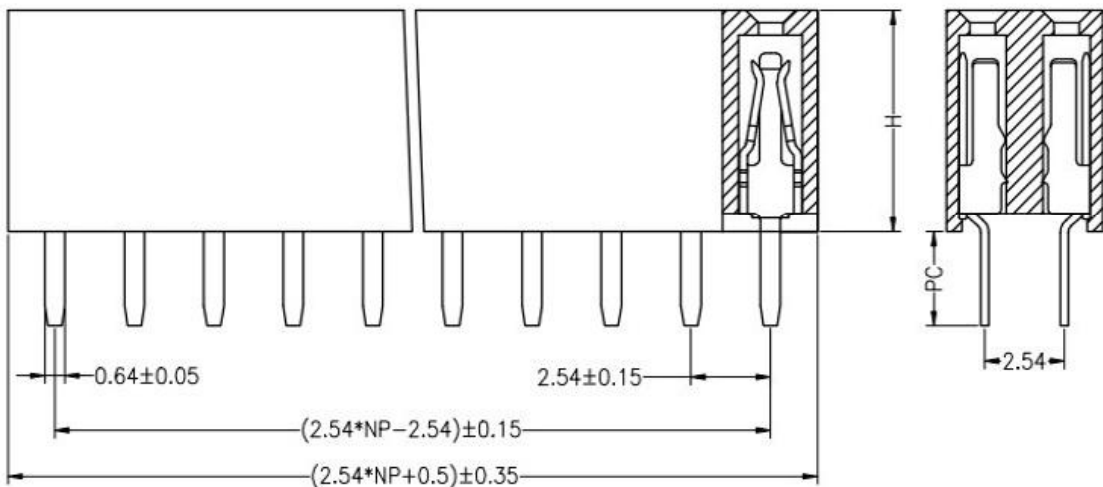
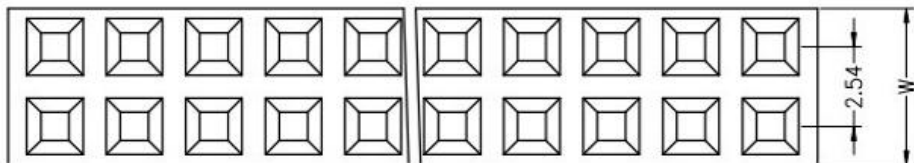
Insulation Height*Wide (H*W) Option:	NO. of Pins Per Row: 1-40P	Insulation Material Option:	Contact Plating	Serial NO. 01-69(No pillars) 70-89(pillars) 90-99(outside pillars)	Packing A=PE Bag B=Tube C=Tray D=Reel
50=5.0*5.2		1=PBT	0=0.8" Gold		
57=5.7*5.0		2=PPS	1=Au1" Gold		
71=7.5*5.0		3=NY6T	2=Au1.5" Gold		
75=7.1*5.0		4=LCP	3=Au2" Gold		
85=8.5*5.0		5=NY66	4=Au3" Gold		
		6=Customized	5=Au5" Gold		
		7=NY46	6=Customized		
		8=NY9T	7=Gold/Tin		
			8=Tin		

Dimension antitheses list			
ITEM	PC	H	W
Standard	3.0/3.2	5.0/5.7/7.1/7.5/8.5	5.0/5.2
Alternate			

# 广东科斯达开关厂

TITLE	PH2.54mm 2XNP 180° Dual row Female Header	DRAWN BY	Lu junhui	18.04.03
PART NO		CHECKED BY		
DRAWING NO		APPROVED BY		
SCALE	1:1	UNIT	mm	PAGE 1/1
				SIZE A4

STANDARD TOLERANCE (EXCEPT SPECIFIED)			
LINER	ANGLES		
.0	±0.30	0.°	±3°
.00	±0.20	.0°	±2°
.000	±0.10	.00°	±1°



PCB LAYOUT