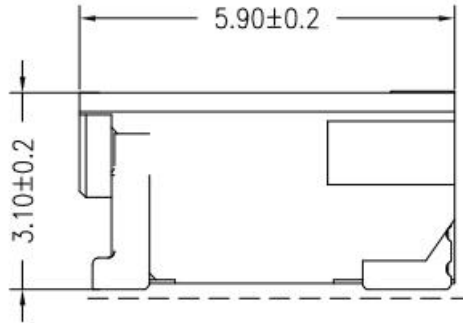
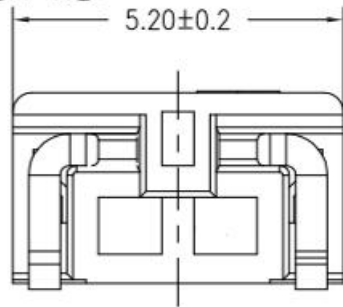
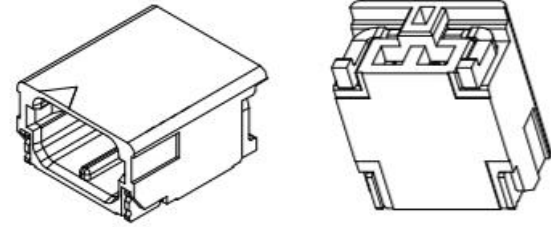


RoHS

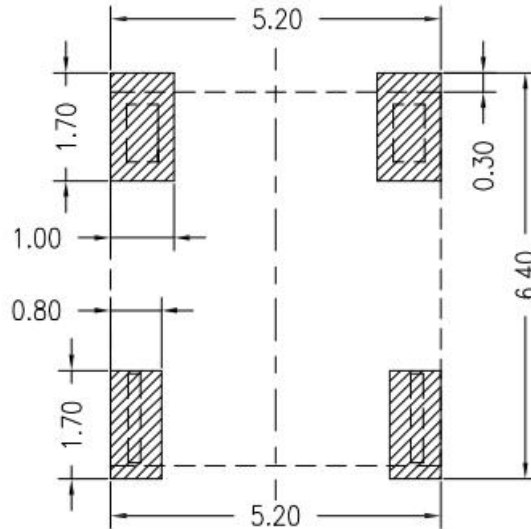
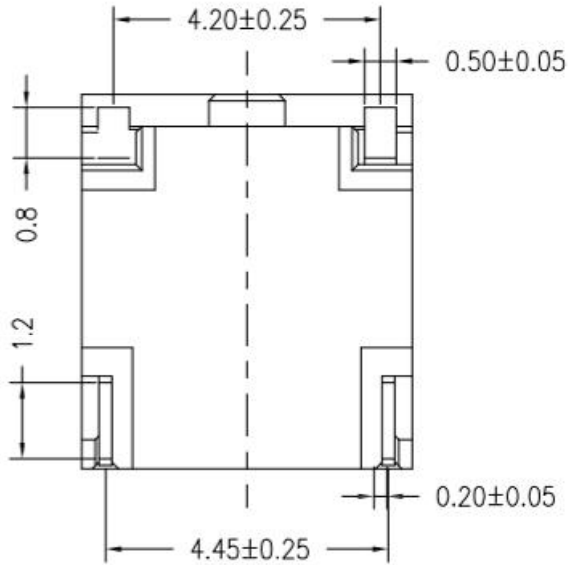


REV	ECN NO	DESCRIPTION	DATE	NAME
A	—	NEW	11/22-'19	HYJ



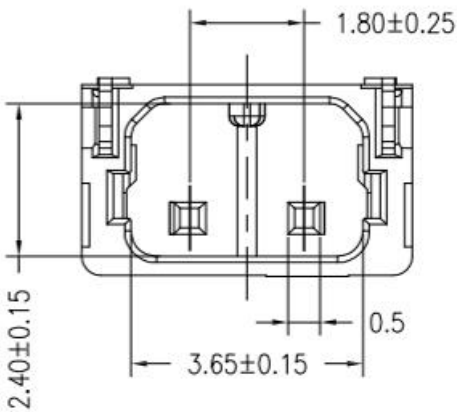
Main Specifications

Poles): 02
 Contact resistance : $\leq 10m\Omega$
 Insulation resistance : $\geq 1000M\Omega$
 Rated voltage : 350V AC DC
 Rated current : 4.0A AC DC (AWG22)
 Withstand Voltage : 1700V AC/minute
 Temperature Range : $-25^{\circ}C \sim +85^{\circ}C$



Board Layout

ORDER INFORMATION:



TOLERANCE UNLESS OTHERWISE SPECIFIED

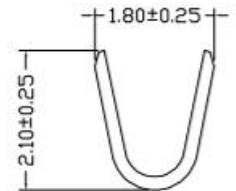
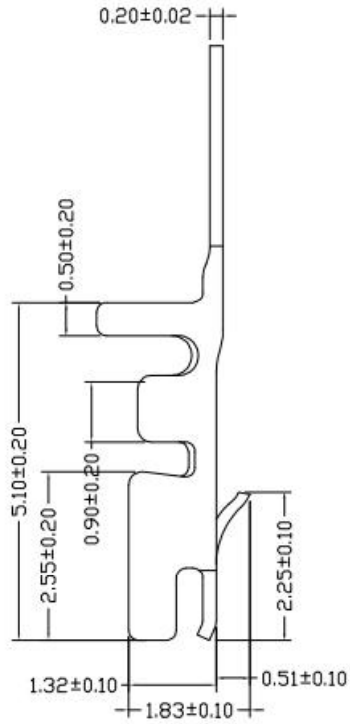
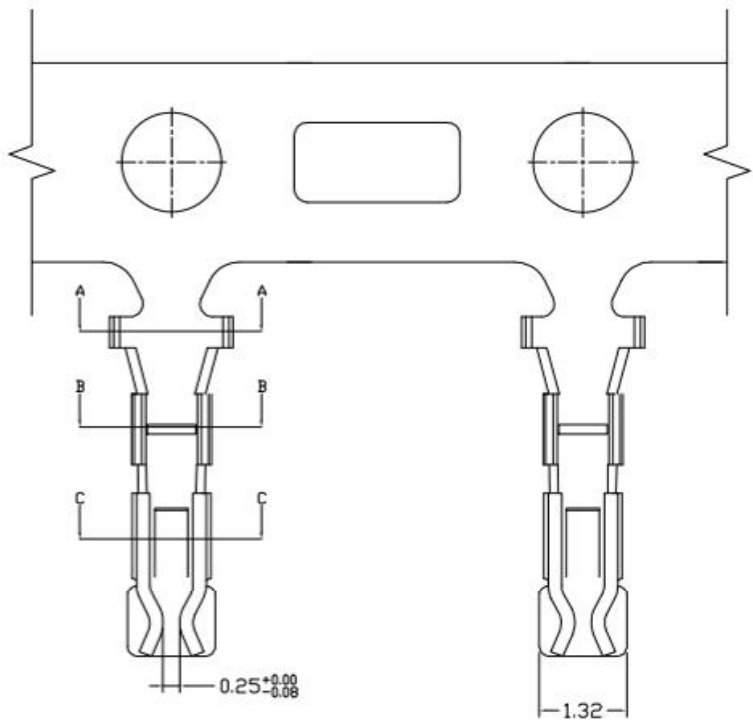
LINER	ANGLES
.0 ±0.30	0.° ±3°
.00 ±0.20	.0° ±2°
.000 ±0.10	.00° ±1°

C	SOLDER TAB	2 PCS	PhosphorBronze	Sn-plated
B	CONTACT	2 PCS	PhosphorBronze	Sn-plated
A	HOUSING	1 PCS	LCP	UL 94V-0, COLOR:BEGIN
ITEM	COMPONENT	Q'TY	MATERIAL	FINISH

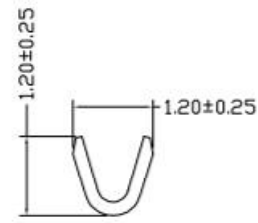
广东科斯达开关厂

TITLE	1.8mm PITCH 90° WAFER SMT TYPE	DRAWN BY	HYJ	11/22-'19
PART NO.		CHECKED BY		
DRAWING NO.		APPROVED BY		
SCALE	1:1	UNIT	mm	PAGE 1/1
				SIZE A4

REV	ECN NO	DESCRIPTION	DATE	NAME
A	—	NEW	11/22-'19	HYJ



SECTION A-A



SECTION B-B



SECTION C-C

Ordering Information & Specification:

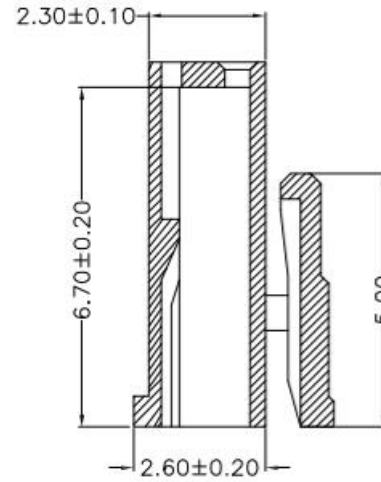
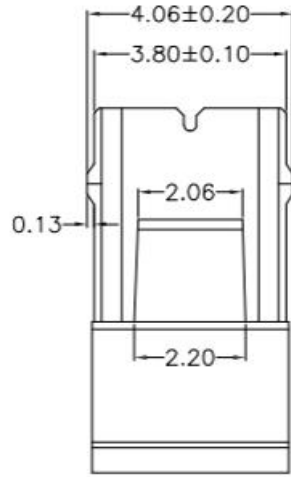
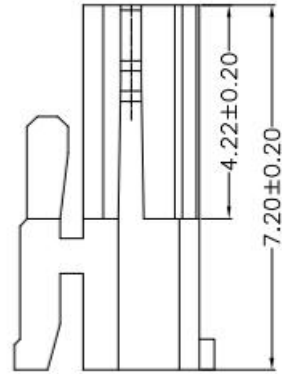
Part No	Wire Range	Insulation O. D.	Material	Finish	Qty/Reel
A1801T-PA	AWG #26~#32	1.60mm(MAX)	Phosphor bronze	Tin-plated	/

TOLERANCE UNLESS OTHERWISE SPECIFIED	
LINER	ANGLES
.0 ±0.30	0° ±3°
.00 ±0.20	.0° ±2°
.000 ±0.10	.00° ±1°

广东科斯达开关厂									
TITLE		1.8mm PITCH		DRAWN BY		HYJ		11/22-'19	
PART NO.				CHECKED BY					
DRAWING NO.		—		APPROVED BY					
SCALE	1:1	UNIT	mm		PAGE	1/1	SIZE	A4	

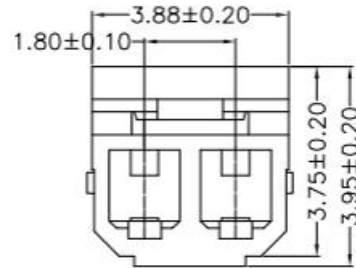
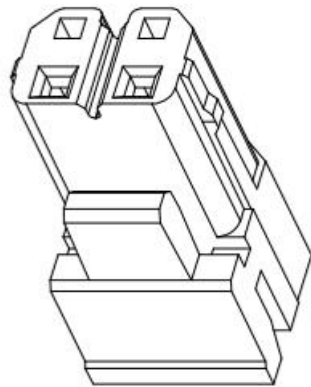
RoHS

REV	ECN NO	DESCRIPTION	DATE	NAME
A	—	NEW	11/22-'19	HYJ



Main Specifications

Poles : 02 to 16
 Contact resistance: $\leq 20\text{m}\Omega$
 Insulation resistance: $\geq 500\text{M}\Omega$
 Rated voltage : 250V AC DC
 Rated current: 2.0A AC DC
 Withstand Voltage : 800V AC/minute
 Temperature Range : $-25^{\circ}\text{C} \sim +105^{\circ}\text{C}$



ORDER INFORMATION:

PART No.	PACKAGING:
No. OF CIRCUITS:	P=PE
02	PLASTIC MATERIAL:
	A5W=PA66 (WHITE)

B				
A	PEDESTAL	1 PCS	PA66	COLOR:WHITE
ITEM	COMPONENT	Q'TY	MATERIAL	FINISH

广东科斯达开关厂

TOLERANCE UNLESS OTHERWISE SPECIFIED	
LINER	ANGLES
.0 ±0.30	0.° ±3°
.00 ±0.20	.0° ±2°
.000 ±0.10	.00° ±1°

TITLE	1.8mm PITCH Housing	DRAWN BY	HYJ	11/22-'19
PART NO.		CHECKED BY		
DRAWING NO.		APPROVED BY		
SCALE	1:1	UNIT	mm	PAGE 1/1
				SIZE A4