

REV	ECN NO	DESCRIPTION	DATE	NAME
A		NEW	3/25-'20	XXL

# SPECIFICATIONS:

**CURRENT RATING:3A AC,DC**  
**VOLTAGE RATING:100V AC,DC**  
**TEMPERATURE:30mΩ MAX.**  
**INSULATION RESISTANCE:1000MΩ MIN.**  
**WITHSTANDING VOLTAGE:500V AC/MINUTE**  
**MATERIAL:**  
**PIN MATERIAL:BRASS/TIN-PLATED**

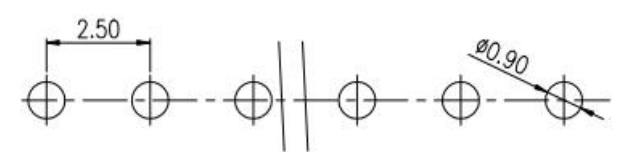
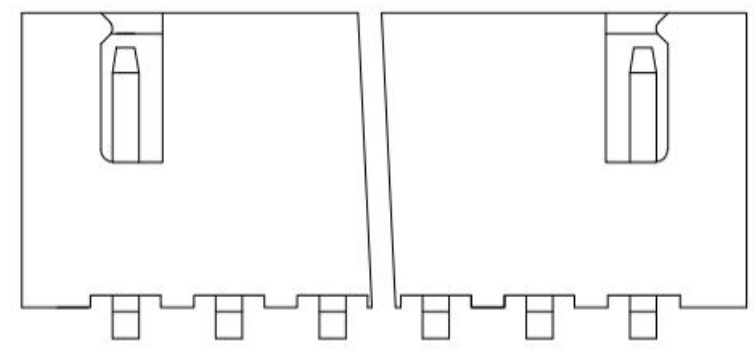
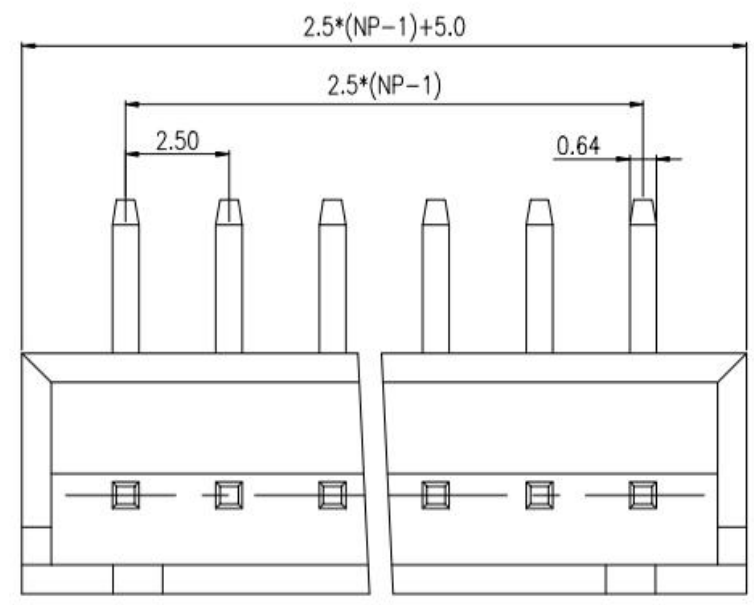
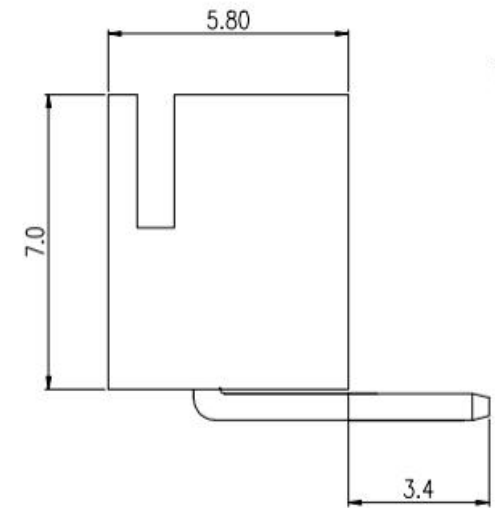
# Ordering Information

<b>P数</b>	<b>材质类型</b>	<b>特殊形态</b>	<b>流水号</b>	<b>包装类型</b>
1、单排	2	0、无		A 绕装
2、双排	3、NY6T	1、打“K”点		B 管装
<b>产品类型</b>	4、LCP	2、		C 盘装
0、180°	5、NY66	3、带柱		D 卷装
1、90°	6、	4、		
2、SMT	7、NY46	5、直臂		
3、卧贴	8、PA9T	6、弯臂		
4、反位立贴				

## 广东科斯达开关厂

TITLE	WAFER-ZP12.5 NP 90° 白色	DRAWN BY	XXL	3/25-'20
PART NO		CHECKED BY		
DRAWING NO		APPROVED BY		
SCALE	1:1	UNITE	mm	PAGE 1/1
				SIZE A4

TOLERANCE UNLESS OTHERWISE SPECIFIED	
LINER	ANGLES
.0 ±0.30	0.° ±3°
.00 ±0.20	.0° ±2°
.000 ±0.10	.00° ±1°



**PCB LAYOUT**