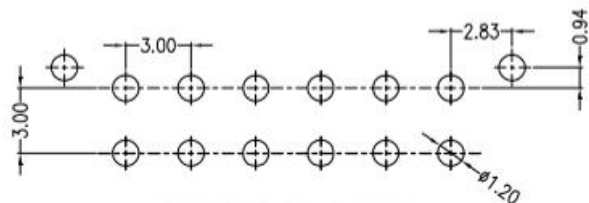
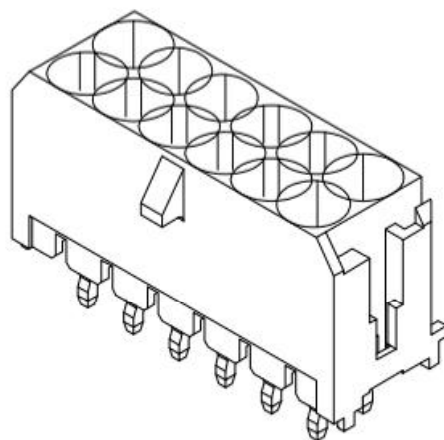
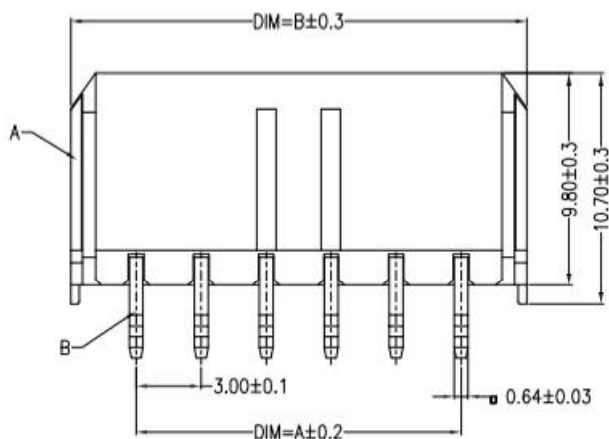
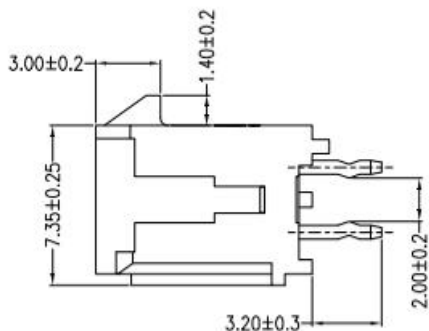
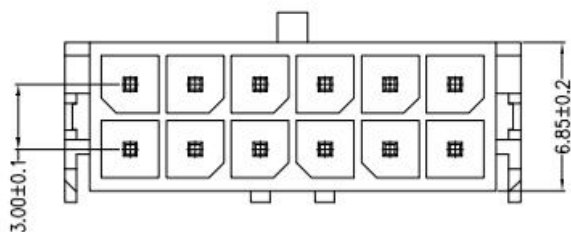
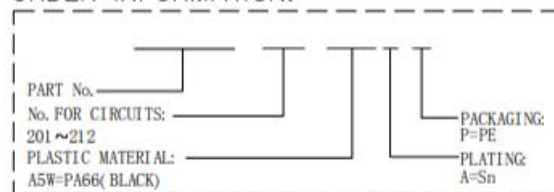


# RoHS



SUGGESTED PCB LAYOUT

### ORDER INFORMATION:



REV	ECN NO	DESCRIPTION	DATE	NAME
A	—	NEW	11/21-'19	LZM

### 主要技术参数 Main Specifications

- 线 数 (Poles) :02 to 24
- 接触电阻 (Contact resistance):≤10m Ω
- 绝缘电阻 (Insulation resistance):≥1000M Ω
- 额定电压 (Rated voltage):250V AC DC
- 额定电流 (Rated current):5.0A AC DC
- 耐 电压 (Withstand Voltage):1500V AC/minute
- 温度范围 (Temperature Range):-25°C~+85°C

PART NO.	Dimensions(mm)	
	A	B
2*01	—	6.05
2*02	3.00	9.05
2*03	6.00	12.05
2*04	9.00	15.05
2*05	12.00	18.05
2*06	15.00	21.05
2*07	18.00	24.05
2*08	21.00	27.05
2*09	24.00	30.05
2*10	27.00	33.05
2*11	30.00	36.05
2*12	33.00	39.05

## 广东科斯达开关厂

ITEM	COMPONENT	Q'TY	MATERIAL	FINISH
2	Contacts	2~24PCS	Brass	Sn-plated
1	Insulator	1 PCS	PA66	PA66 COLOR:BLACK

STANDARD TOLERANCE (EXCEPT SPECIFIED)	
LINER	ANGLES
.0 ±0.30	0.° ±3°
.00 ±0.20	.0° ±2°
.000 ±0.10	.00° ±1°

TITLE	A3001A (MX3.0 Staight needle)	DRAWN BY	LZM	DATE	11/21-'19
PART NO		CHECKED BY			
DRAWING NO		APPROVED BY			
SCALE	1:1	UNIT	mm	PAGE	1/1
SIZE	A4				