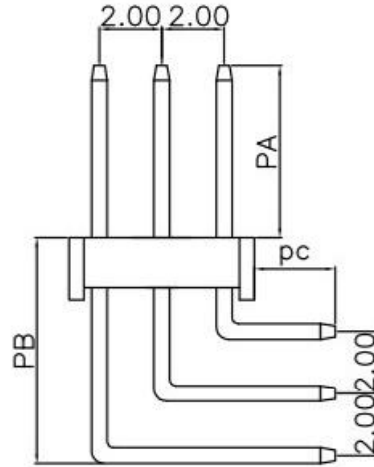
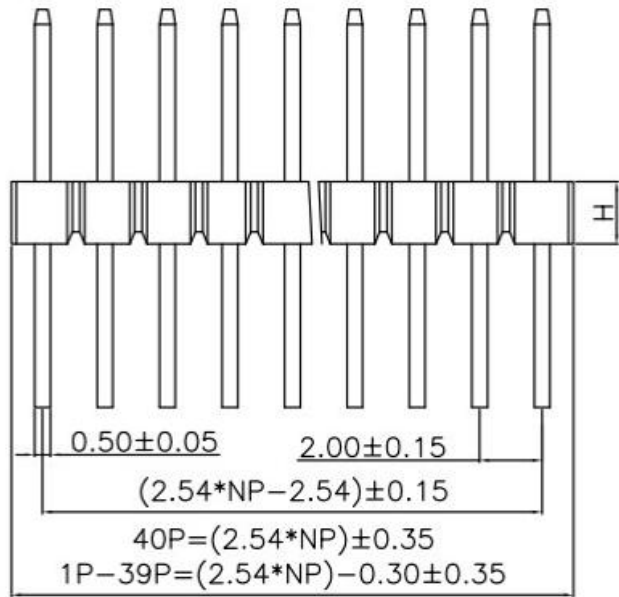
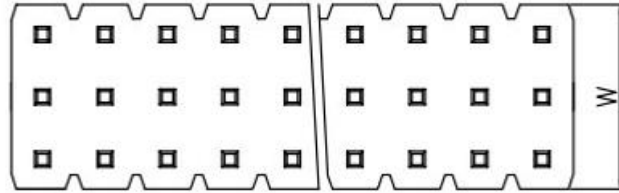


RoHS

REV	ECN NO	DESCRIPTION	DATE	NAME
A		NEW		



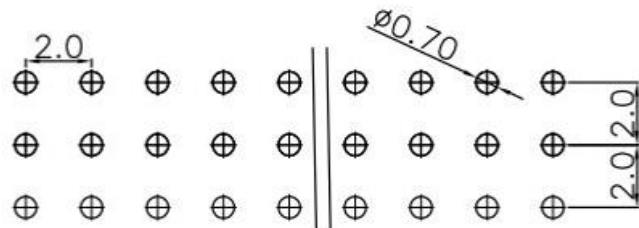
Specifications

- 1.Current Rating:2.0Amps
- 2.Insulation Resistance:1000 MΩ min.
- 3.Dielectric withstanding Voltage: 500V AC/DC
- 4.Contact Resistance:20 mΩ max.
- 5.Operating Temperature:-40℃ to+105℃
- 6.Contact Material: Brass
- 7.Insulation Material:As follows,UL94V-0,Black
- 8.Plated: Au Over Ni

Ordering Information

Insulation Height*Wide (H*W)	NO. of Pins Per Row: 1-50P	Insulation Material Option:	Contact Plating	Serial NO. 01-69	Packing
Option: 20=2.00*6.0		1=PBT 2=PPS 3=NY6T 4=LCP 5=NY66 6=Customized 7=NY46 8=NY9T	0=0.8" Gold 1=Au1" Gold 2=Au1.5" Gold 3=Au2" Gold 4=Au3" Gold 5=Au5" Gold 6=Customized 7=Gold/Tin 8=Tin		A=PE Bag B=Tube C=Tray D=Reel

Dimension antitheses list					
ITEM	PC	PB	PA	H	Pin Length
Standard	2.80	7.20	5.00	2.00	12.2/16.2/20.2
Alternate					



PCB LAYOUT

STANDARD TOLERANCE (EXCEPT SPECIFIED)

LINER	ANGLES
.0 ±0.30	0.° ±3°
.00 ±0.20	.0° ±2°
.000 ±0.10	.00° ±1°

广东科斯达电子科技有限公司

TITLE	PH2.00mm Pin Header Three lines 90°	DRAWN BY	YTT	16.02.03
PART NO		CHECKED BY		
DRAWING NO		APPROVED BY		
SCALE	1:1	UNIT	mm	PAGE 1/1
				SIZE A4