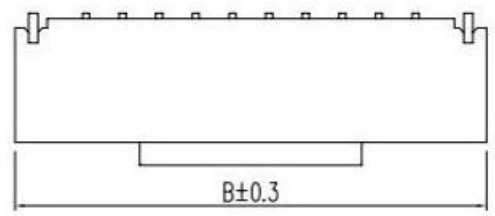
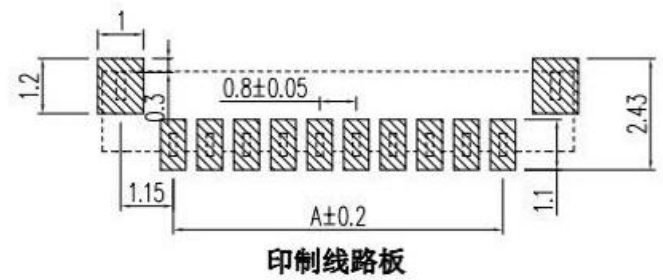
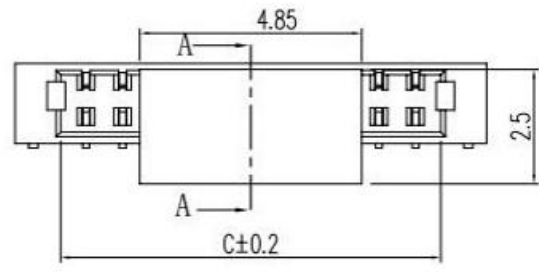
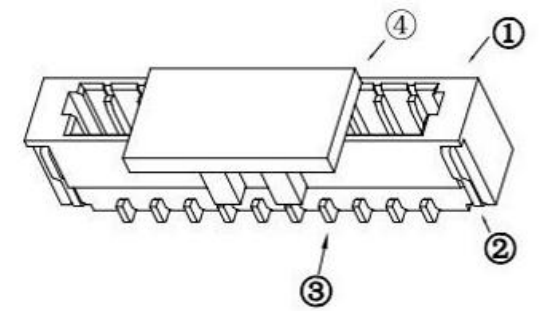
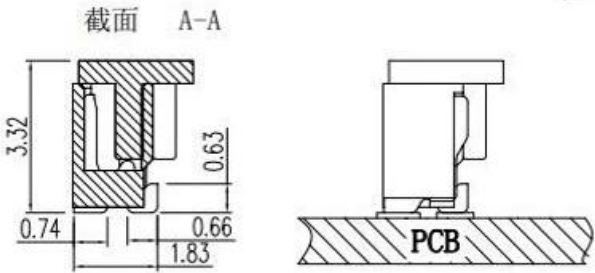
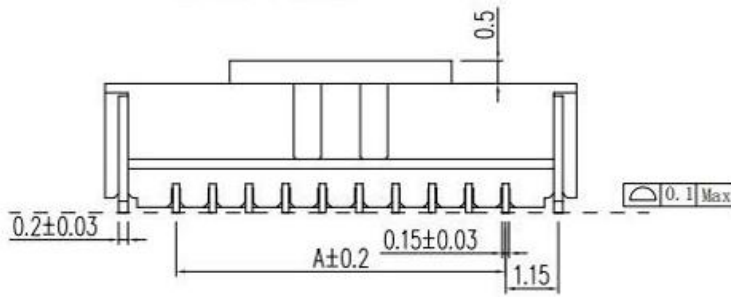


RoHS

REV	ECN NO	DESCRIPTION	DATE	NAME
A		NEW	6/16-'20	HYJ



PART No. _____
 No. OF CIRCUITS _____
 02~15
 PLASTIC MATERIAL _____
 F2M=LCP (BEIGE)
 SPECIAL CODE:CAP
 PACKAGING
 R=REEL
 P=PE
 PLATING
 B=MATTE Sn

1. 技术参数:
 1.1 额定电流: 0.5A AC/DC
 1.2 额定电压: 50V
 1.3 耐电压: 500V ACminute
 1.4 接触电阻: 20mΩ MAX
 1.5 绝缘电阻: 100MΩ MIN
 2. 工作温度: -25℃~+85℃

Circuits	Dimensions (mm)			Circuits	Dimensions (mm)		
	A	B	C		A	B	C
2P	0.8	3.90	1.90	12P	8.80	11.90	9.90
3P	1.6	4.70	2.70	13P	9.60	12.70	10.70
4P	2.4	5.50	3.50	14P	10.40	13.50	11.50
5P	3.2	6.30	4.30	15P	11.20	14.30	12.30
6P	4.0	7.10	5.10	16P	12.00	15.10	13.10
7P	4.8	7.90	5.90	17P	12.80	15.90	13.90
8P	5.6	8.70	6.70	18P	13.60	16.70	14.70
9P	6.4	9.50	7.50	19P	14.40	17.50	15.50
10P	7.2	10.30	8.30	20P	15.20	18.30	16.30
11P	8.0	11.10	9.10				

NO	物料名称	规格型号	数量(PCS)	材质	镀涂	TOLERANCE UNLESS OTHERWISE SPECIFIED	
①	基座	0.8	1	LCPE130i	本色	LINER	ANGLES
②	焊片	0.8	2	磷铜	锡	.0 ±0.30	0.° ±3°
③	插针	0.8	2~20	磷铜	锡	.00 ±0.20	.0° ±2°
④	盖板	0.8	1	LCPE130i	本色	.000 ±0.10	.00° ±1°

广东科斯达开关厂

TITLE	WAFER-L PHO. 8 1XNP 立贴 带帽	DRAWN BY	HYJ	6/16-'20
PART NO		CHECKED BY		
DRAWING NO		APPROVED BY		
SCALE	1:1	UNIT	mm	PAGE 1/1 SIZE A4