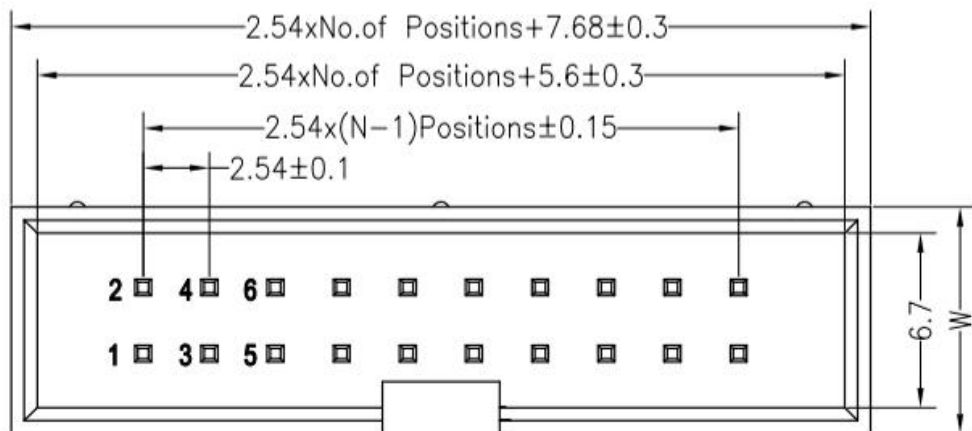


RoHS

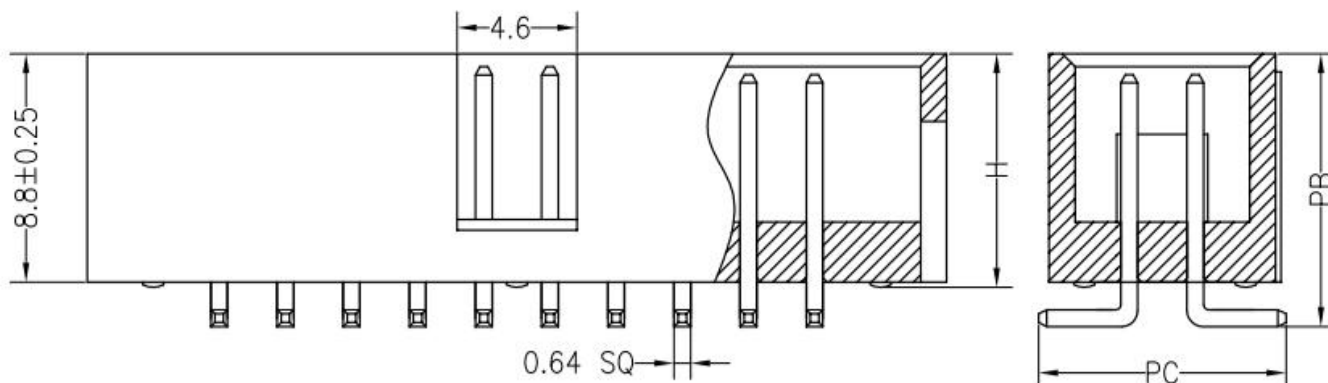
REV	ECN NO	DESCRIPTION	DATE	NAME
A		NEW		



Specifications

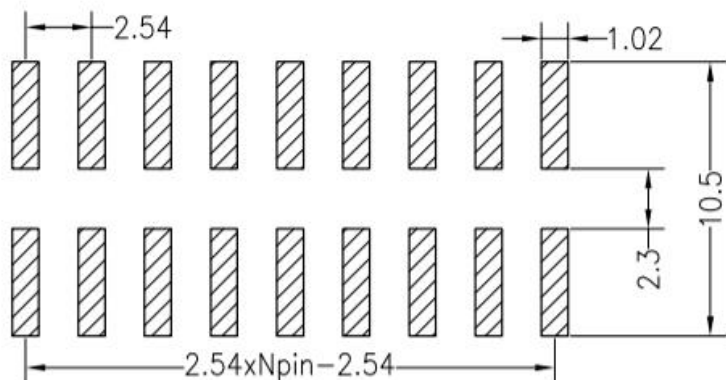
- 1.Current Rating:3.0Amps
- 2.Insulation Resistance:1000 MΩ min.
- 3.Dielectric withstanding Voltage: 500V AC/DC
- 4.Contact Resistance:20 mΩ max.
- 5.Operating Temperature:-40°C to+105°C
- 6.Contact Material: Brass
- 7.Insulation Material:Asfollows,UL94V-0,Black
- 8.Plated: Au Over Ni

Ordering Information



Insulation Height*Wide (H*W) 9.0*8.8	Per Row: 10P 26P 30P 40P 44P	Insulation Material Option: 1=PBT 2=PPS 3=NY6T 4=LCP 5=NY66 6=Customized 7=NY46 8=NY9T	Contact Plating 0=0.8" Gold 1=Au1" Gold 2=Au1.5" Gold 3=Au2" Gold 4=Au3" Gold 5=Au5" Gold 6=Customized 7=Gold/Tin 8=Tin	Serial NO. 01-69	A. 袋装 B. 管装 C. 盘装 D. 卷装
---	---	---	--	---------------------	----------------------------------

ITEM	PC	PB	H	Pin Length
Standard	9.50	10.50	9.00	12.40
Alternate				



PCB LAYOUT

STANDARD TOLERANCE
(EXCEPT SPECIFIED)

LINER	ANGLES
.0 ±0.30	0.° ±3°
.00 ±0.20	.0° ±2°
.000 ±0.10	.00° ±1°

广东科斯达开关厂

TITLE	PH2.54mm Pin Header Dual Row SMT	DRAWN BY	YTT	16.02.03
PART NO		CHECKED BY		
DRAWING NO		APPROVED BY		
SCALE	1:1	UNIT	mm	PAGE 1/1
				SIZE A4