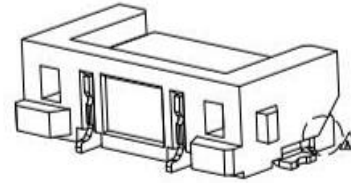
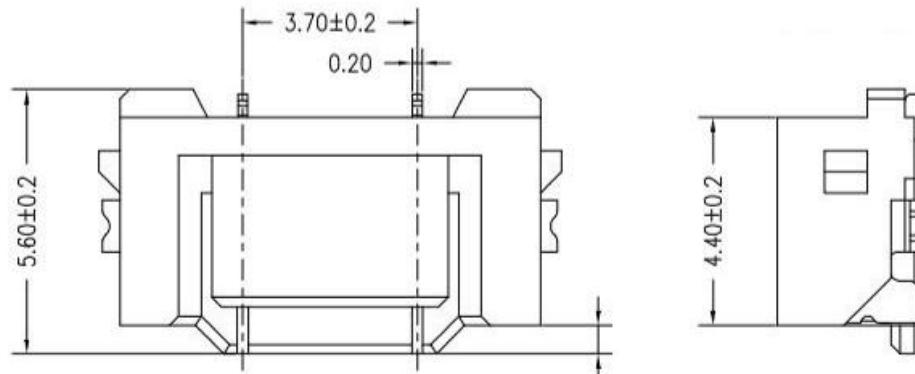


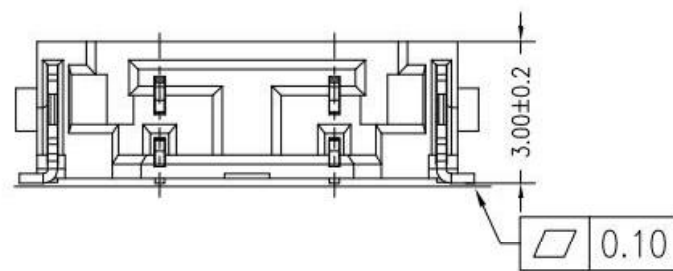
# RoHS

REV	ECN NO	DESCRIPTION	DATE	NAME
A	—	NEW	11/21-'19	XXL

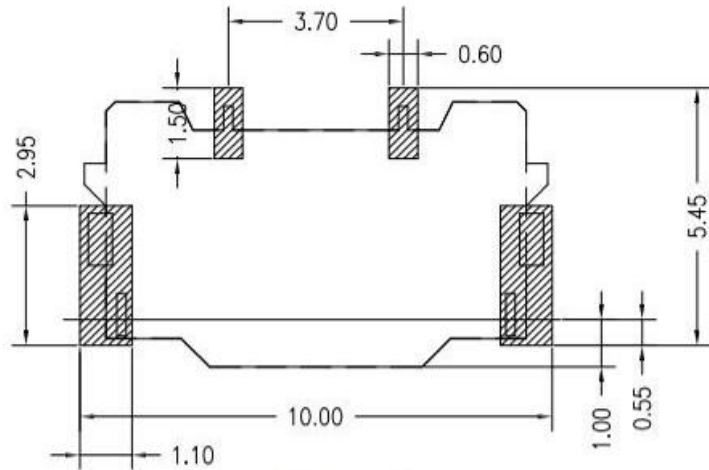
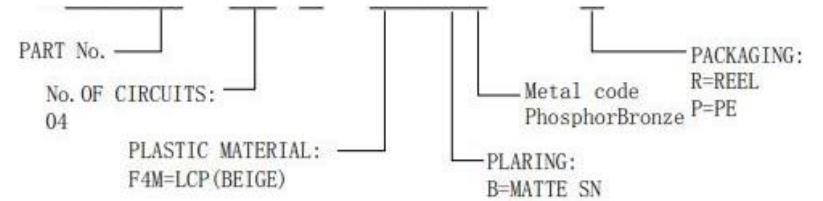


### Main Specifications:

- 1.Poles:02p
- 2.Contact Resistance:30 mΩ max.
- 3.Insulator Resistance:1000 Megohms min.
- 4.Rated voltage:500v AC DC
- 5.Rated current:2.0A AC DC
- 6.Dielectric withstanding Voltage: AC 1500V/minute
- 7.-40°C to+85°C



## Ordering Information



PCB LAYOUT

# 广东科斯达开关厂

STANDARD TOLERANCE (EXCEPT SPECIFIED)	
LINER	ANGLES
.0 ±0.30	0.° ±3°
.00 ±0.20	.0° ±2°
.000 ±0.10	.00° ±1°

TITLE	WAFER PH3.7MM 1X2P 90度 SMT	DRAWN BY	XXL	DATE	11/21-'19
PART NO.		CHECKED BY			
DRAWING NO.		APPROVED BY			
SCALE	1:1	UNIT	mm	PAGE	1/1
SIZE	A4	SIZE		SIZE	