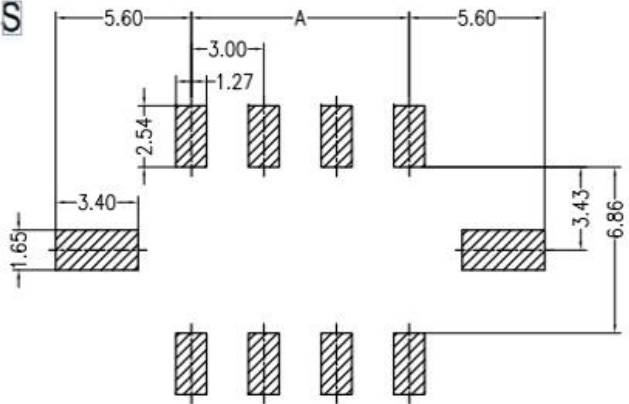
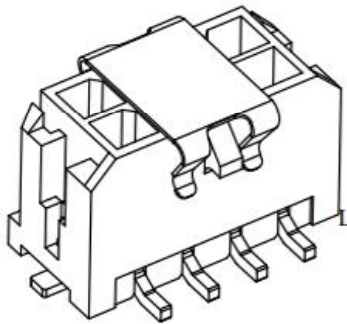


WITH COVER

RoHS



PCB LAYOUT(Tolerance:±0.05)



Specifications:

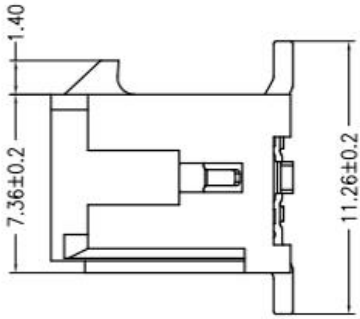
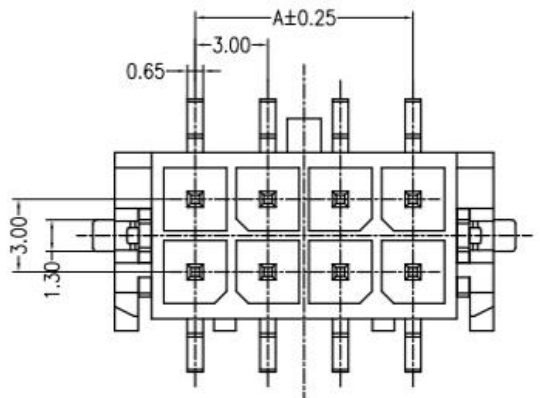
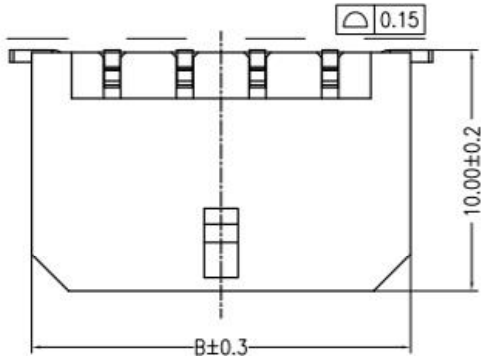
- Contact resistance: ≤10mΩ
- Insulation resistance: ≥1000MΩ
- Rated voltage: 250V AC DC
- Rated current: 5.0A AC DC
- Withstand Voltage: 1000V AC/minute
- Temperature Range: -25°C ~ +85°C
- Housing: LCP UL94V-0, BLACK
- Contacts: Brass/MATTE Sn-plated
- Solder Tabs: Brass/MATTE Sn-plated
- CAP: Stainless steel

ORDER INFORMATION:



REV	DESCRIPTION	DESIGN	DATE
A0	NEW RELEASE	Lingqing	2019/08/08

PIN	DIM A	DIM B
2x1		6.65
2x2	3.00	9.65
2x3	6.00	12.65
2x4	9.00	15.65
2x5	12.00	18.65
2x6	15.00	21.65
2x7	18.00	24.65
2x8	21.00	27.65
2x9	24.00	30.65
2x10	27.00	33.65
2x11	30.00	36.65
2x12	33.00	39.65



广东科斯达开关厂

TITLE: 3.0 Pitch Wafer 180° SMT

GENERAL TOLERANCE		USE:	PART NO.:
X. ±0.50	X. ±5'	CUSTOMER	
X.X ±0.30	X.X ±2'	APPD: Liuzhengling	
X.XX ±0.20	X.XX ±1'	CHKD: Steven	
UNITS: mm		DR: Zenglingqing	

DWG NO.: GCKH-0813	
SCALE: 1 : 1	SHEET: 1 / 1