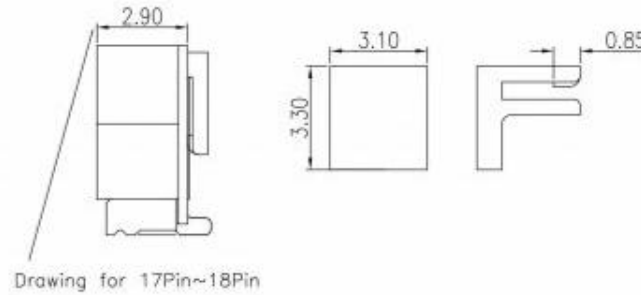
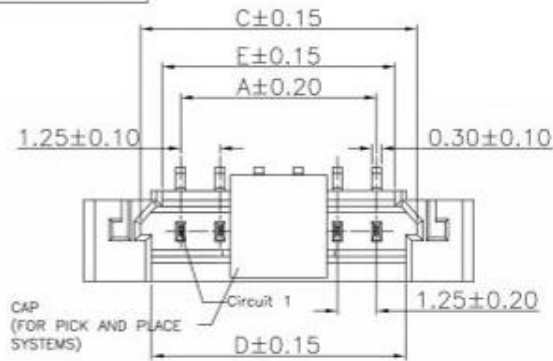


RoHS Compliant

REV.	ECN.NO.	MODIFY.CONTENT	DATE
A		NEW VERSION	09/11'16



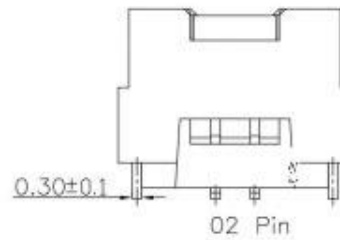
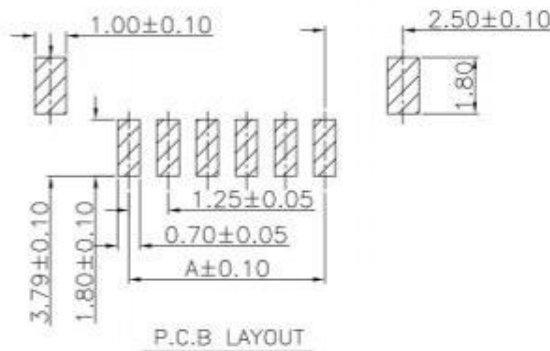
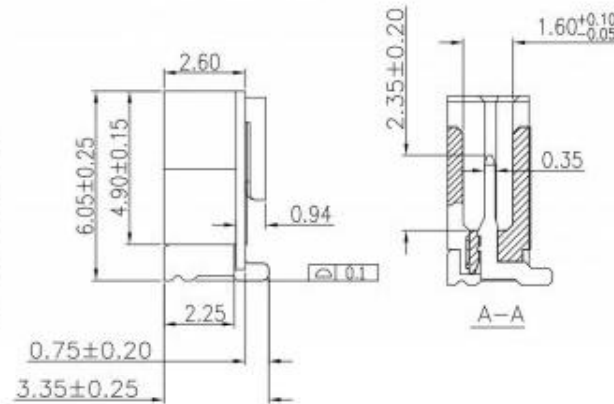
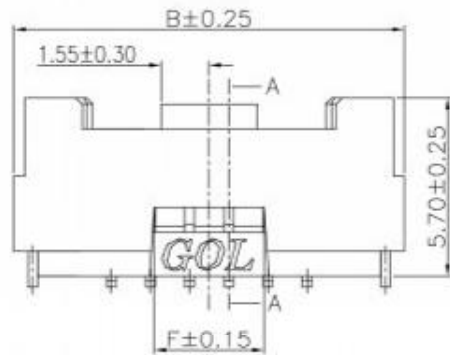
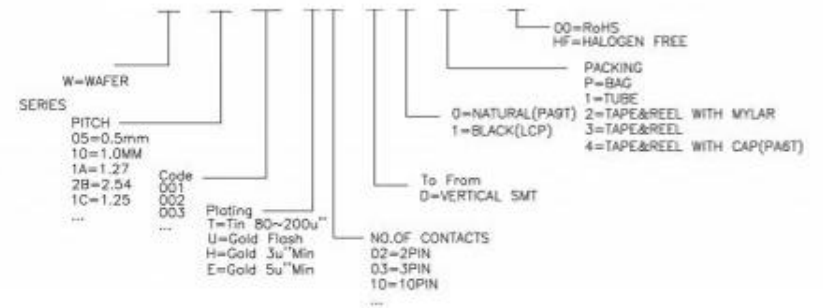
MATERIALS

Insulator :High temperature plastic,UL94V-0
 Contact :Copper Alloy
 Contact Plating :Gold flash or Tin over Nickel 30~120u"
 (See Part no.)

SPECIFICATIONS

Current Rating :1A
 Operation Temperature :-25°C to +85°C
 Insulation Resistance :500MΩ Min
 contact resistance :20mΩ Max
 Processing Temperature :260°C for 10 seconds

PART NO.:



18	21.25	27.45	23.81	22.83	22.43	5.00
17	20.00	26.20	22.56	21.58	21.18	5.00
16	18.75	24.95	21.31	20.33	19.93	5.00
15	17.50	23.70	20.06	19.08	18.68	5.00
14	16.25	22.45	18.81	17.83	17.43	5.00
13	15.00	21.20	17.56	16.58	16.18	5.00
12	13.75	19.95	16.31	15.33	14.93	5.00
11	12.50	18.70	15.06	14.08	13.68	5.00
10	11.25	17.45	13.81	12.83	12.43	3.50
09	10.00	16.20	12.56	11.58	11.18	3.50
08	8.75	14.95	11.31	10.33	9.93	3.50
07	7.50	13.70	10.06	9.08	8.68	3.50
06	6.25	12.45	8.81	7.83	7.43	3.50
05	5.00	11.20	7.56	6.58	6.18	3.50
04	3.75	9.95	6.31	5.33	4.93	3.50
03	2.50	8.70	5.06	4.08	3.68	3.50
02	1.25	7.45	3.81	2.83	2.43	3.50
PIN B:	A	B	C	D	E	F

GENERAL TOLERANCE		DRAWN	VICENT.YAO	09'11/16	SCALE	PART NO.
X.±0.30	x.'±3'	CHECKED	RYAN.LAI	09'11/16	4/1	TITLE
.X±0.25	.x'±2'	APPROVED	RAY LEE	09'11/16	UNITS	mm
.XX±0.20		File NO.	W1C00401S		CUSTOMER DRAWING	
.XXX±0.10		REV.				
SHEET	1/1	Q'TY	1	A	广东科斯达开关厂	

此文件为双方检验的唯一标准
 This document is the only standard tested by both parties.