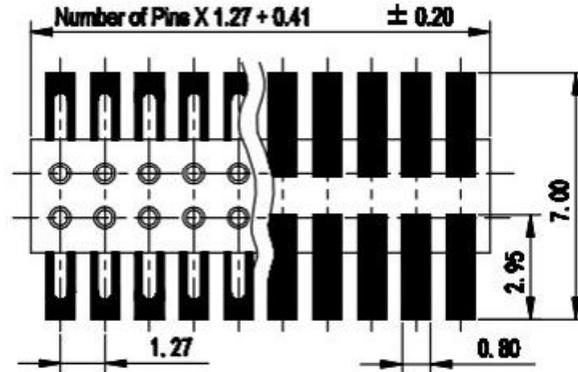
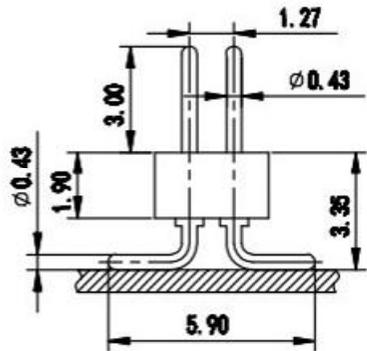
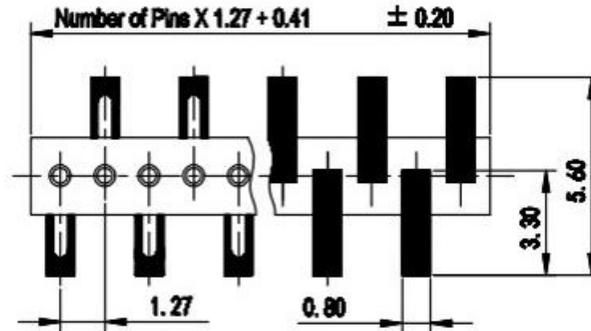
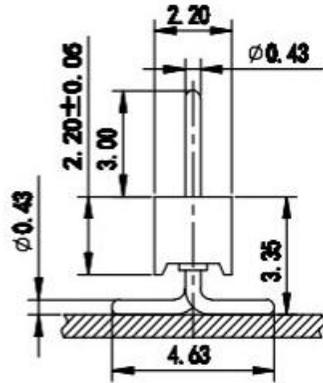


RoHS

REV	ECN NO	DESCRIPTION	DATE	NAME
A		NEW		



Technical Specs:

Insulator: Black glass filled polyester PPS-GF30-FR
 Flammability: UL 94V-0
 Sleeve: Brass CuZn36Pb3(C36000)
 Accepted pin: Ø0.41 mm
 Mechanical life: min500 cycles
 Rated current: 1A
 Dielectric resistance: Min 1000V RMS
 Coplanarity SMD terminations: max 0.1 mm(measured on 25 mm long connectors)

Ordering Information

NO. of Pins Per Row: 01-40P
 The connection method: 0=180°, 1=90°, 2=SMT
 Contact Plating: 1=Gold flash, 2=Au/Tin
 Serial NO. 01-99
 Packing: A=PE Bag, B=Tube, C=Tray, D=Reel

STANDARD TOLERANCE (EXCEPT SPECIFIED)			
LINER		ANGLES	
.0	±0.30	0.°	±3°
.00	±0.20	.0°	±2°
.000	±0.10	.00°	±1°

广东科斯达电子科技有限公司

TITLE	PHI. 27mm-L. Machined Male Header H=L. 9 Single row/Double row SMT Type	DRAWN BY	Lujunhui	18.11.12
PART NO		CHECKED BY		
DRAWING NO		APPROVED BY		
SCALE	1:1	UNIT	mm	PAGE 1/1
				SIZE A4