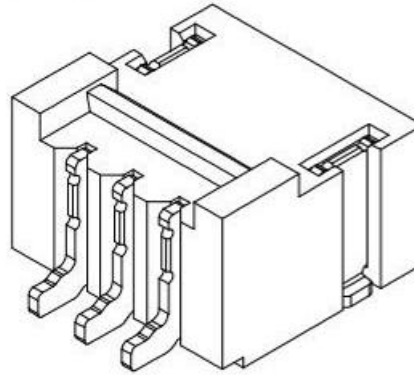


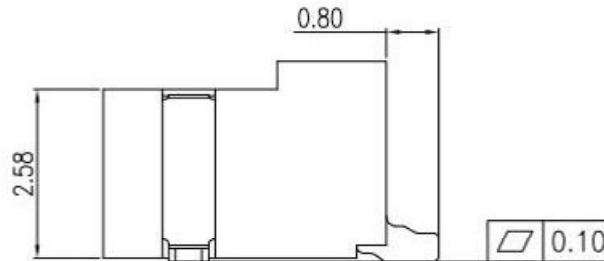
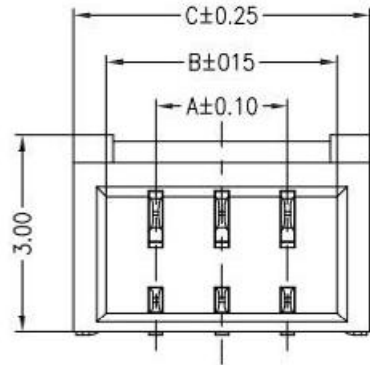
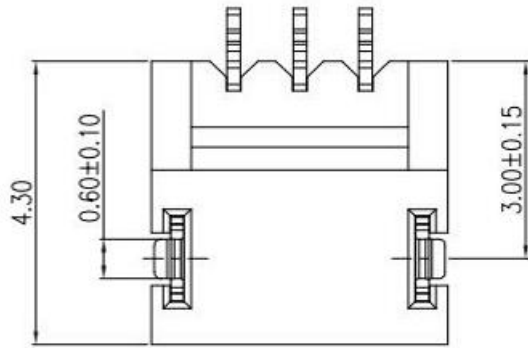
REV	ECN NO	DESCRIPTION	DATE	NAME
A	—	NEW	11/23-'19	ZCD

RoHS

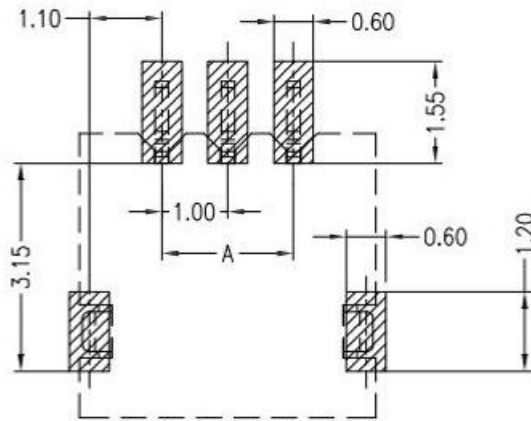


Main Specifications

- Poles: 02 to 20
- Contact resistance:  $\leq 20m \Omega$
- Insulation resistance:  $\geq 100M \Omega$
- Rated voltage: 125V AC DC
- Rated current: 1.0A AC DC
- Withstand Voltage: 500V AC/minute
- Temperature Range:  $-25^{\circ}C \sim +85^{\circ}C$



PART No.	PACKAGING:
No.OF CIRCUITS:	R=REEL
PLASTIC MATERIAL:	P=PE
C1M=PA6T(BEIGE)	Metal code:
	1=PhosphorBronze
	PLATING:
	A=Bright Sn



PCB LAYOUT(Tolerance:±0.05)

Circuit	A	B	C	孔位	尺寸	A	B	C
2P	1.00	2.50	3.50	12P	11.00	12.5	13.5	
3P	2.00	3.50	4.50	13P	12.00	13.5	14.5	
4P	3.00	4.50	5.50	14P	13.00	14.5	15.5	
5P	4.00	5.50	6.50	15P	14.00	15.5	16.5	
6P	5.00	6.50	7.50	16P	15.00	16.5	17.5	
7P	6.00	7.50	8.50	17P	16.00	17.5	18.5	
8P	7.00	8.50	9.50	18P	17.00	18.5	19.5	
9P	8.00	9.50	10.5	19P	18.00	19.5	20.5	
10P	9.00	10.50	11.5	20P	19.00	20.5	21.5	
11P	10.00	11.50	12.5					

广东科斯达开关厂

STANDARD TOLERANCE (EXCEPT SPECIFIED)	
LINER	ANGLES
.0 ±0.30	0.° ±5°
.00 ±0.25	.0° ±2°
.000 ±0.10	.00° ±1°

TITLE	1.0 Pitch Wafer 90° SMT	DRAWN BY	ZCD	11/23-'19
PART NO.		CHECKED BY		
DRAWING NO.		APPROVED BY		
SCALE	1:1	UNIT	mm	PAGE 1/1
				SIZE A4