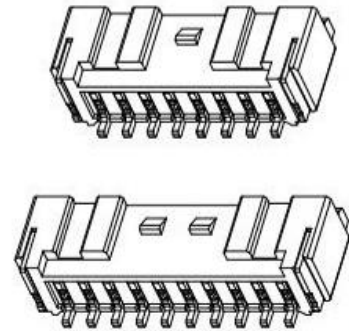
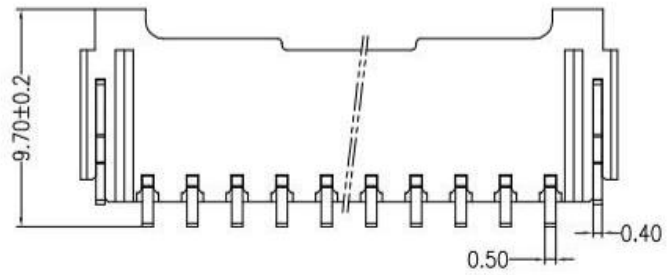
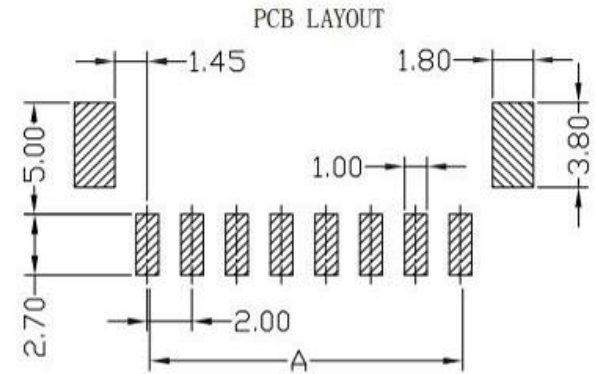
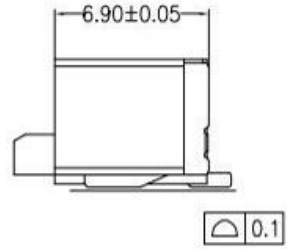
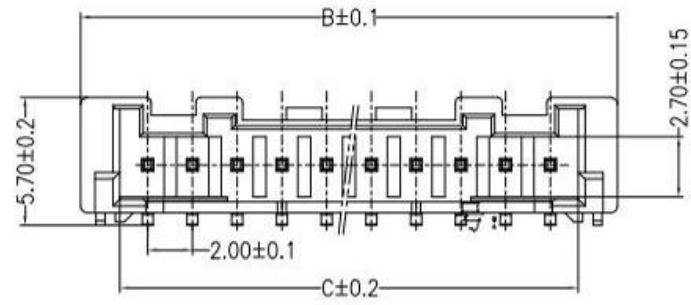


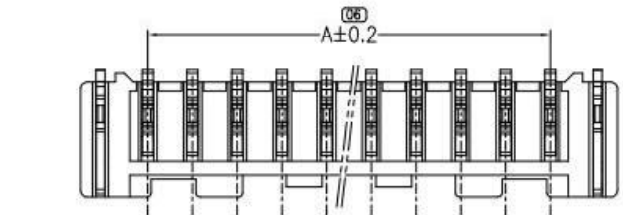
# RoHS

REV	ECN NO	DESCRIPTION	DATE	NAME
A	—	NEW	11/23-'19	HYJ



### Main Specifications

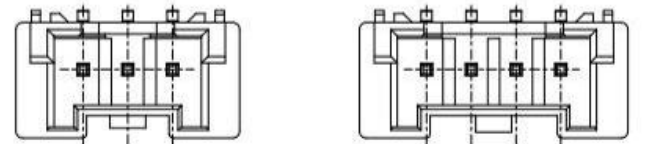
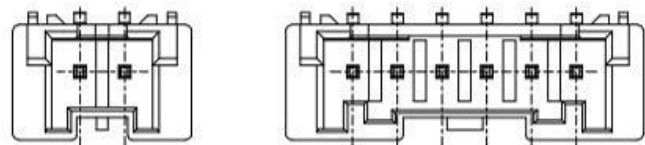
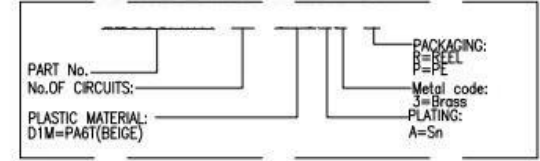
Poles:02 to 15  
 Contact resistance: ≤20m Ω  
 Insulation resistance: ≥1000M Ω  
 Rated voltage:250V AC DC  
 Rated current:3.0A AC DC  
 Withstand Voltage:800V AC/minute  
 Temperature Range:-25° C~+85° C



注 十孔及以上双卡扣

PIN.	DIM A	DIM B	DIM C
2pin	2.00	8.00	4.55
3Pin	4.00	10.00	6.55
4Pin	6.00	12.00	8.55
5Pin	8.00	14.00	10.55
6Pin	10.00	16.00	12.55
7pin	12.00	18.00	14.55
8Pin	14.00	20.00	16.55
9Pin	16.00	22.00	18.55
10pin	18.00	24.00	20.55
11pin	20.00	26.00	22.55
12pin	22.00	28.00	24.55
13pin	24.00	30.00	26.55
14Pin	26.00	32.00	28.55
15pin	28.00	34.00	30.55

### ORDER INFORMATION:



ITEM	COMPONENT	Q'TY	MATERIAL	FINISH
D	CAP	1 PCS	PA6T	UL 94V-0, COLOR:BEIGE
C	SOLDER TAB	2 PCS	Barss	Sn-plated
B	CONTACT	2~15 PCS	Barss	Sn-plated
A	HOUSING	1 PCS	PA6T	UL 94V-0, COLOR BEIGE

## 广东科斯达开关厂

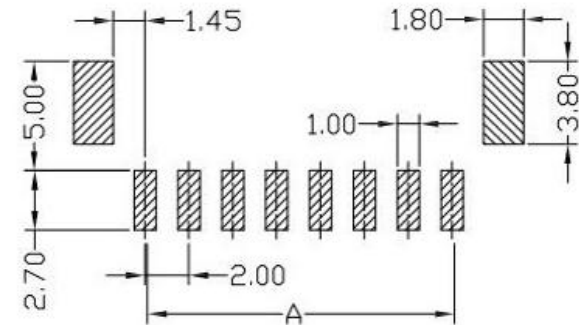
STANDARD TOLERANCE (EXCEPT SPECIFIED)	
LINER	ANGLES
.0 ±0.30	0.° ±3°
.00 ±0.20	.0° ±2°
.000 ±0.10	.00° ±1°

TITLE	2.00mm PITCH 90° WAFER SMT TYPE	DRAWN BY	HYJ	11/23-'19
PART NO		CHECKED BY		
DRAWING NO		APPROVED BY		
SCALE	1:1	UNIT	mm	PAGE 1/1
				SIZE A4

# RoHS

REV	ECN NO	DESCRIPTION	DATE	NAME
A	—	NEW	11/23-'19	HYJ

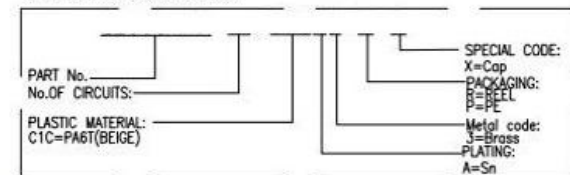
### PCB LAYOUT



### Main Specifications

Poles :02 to 15  
 Contact resistance : $\leq 20m\ \Omega$   
 Insulation resistance : $\geq 1000M\ \Omega$   
 Rated voltage :250V AC DC  
 Rated current :3.0A AC DC  
 Withstand Voltage :800V AC/minute  
 Temperature Range : $-25^{\circ}\text{C}\sim+85^{\circ}\text{C}$

### ORDER INFORMATION:



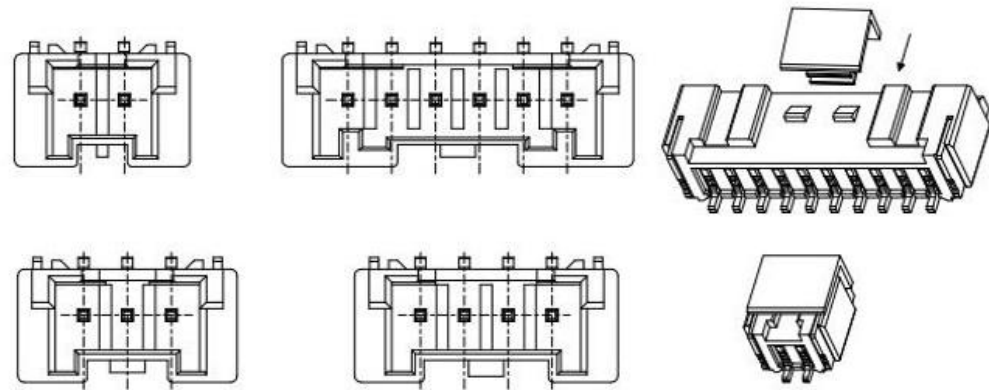
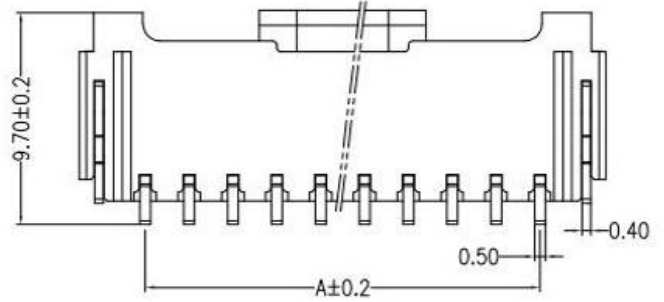
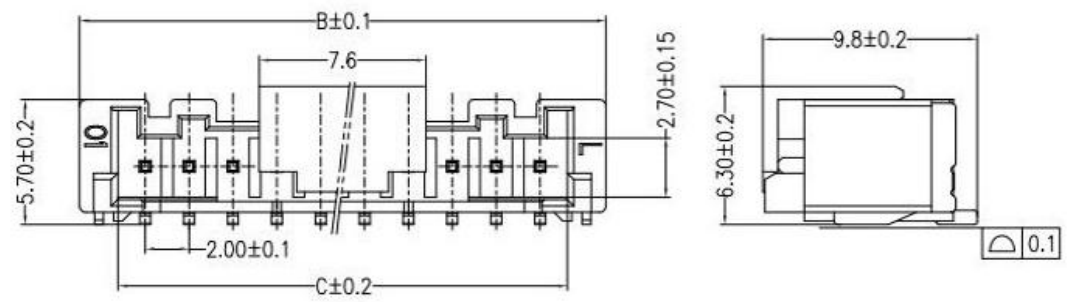
PIN.	DIM A	DIM B	DIM C
2pin	2.00	8.00	4.55
3pin	4.00	10.00	6.55
4pin	6.00	12.00	8.55
5pin	8.00	14.00	10.55
6pin	10.00	16.00	12.55
7pin	12.00	18.00	14.55
8pin	14.00	20.00	16.55
9pin	16.00	22.00	18.55
10pin	18.00	24.00	20.55
11pin	20.00	26.00	22.55
12pin	22.00	28.00	24.55
13pin	24.00	30.00	26.55
14pin	26.00	32.00	28.55
15pin	28.00	34.00	30.55

ITEM	COMPONENT	Q'TY	MATERIAL	FINISH
D	CAP	1 PCS	PA6T	UL 94V-0, COLOR:BEIGE
C	SOLDER TAB	2 PCS	Brass	Sn-plated
B	CONTACT	2~15 PCS	Brass	Sn-plated
A	HOUSING	1 PCS	PA6T	UL 94V-0, COLOR:BEIGE

## 广东科斯达开关厂

TITLE	2.00mm PITCH 90° WAFER SMT TYPE	DRAWN BY	HYJ	11/23-'19
PART NO		CHECKED BY		
DRAWING NO		APPROVED BY		
SCALE	1:1	UNIT	mm	PAGE 1/1
				SIZE A4

STANDARD TOLERANCE (EXCEPT SPECIFIED)	
LINER	ANGLES
.0 ±0.30	0.° ±3°
.00 ±0.20	.0° ±2°
.000 ±0.10	.00° ±1°

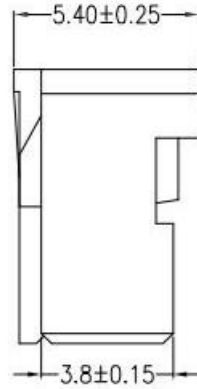
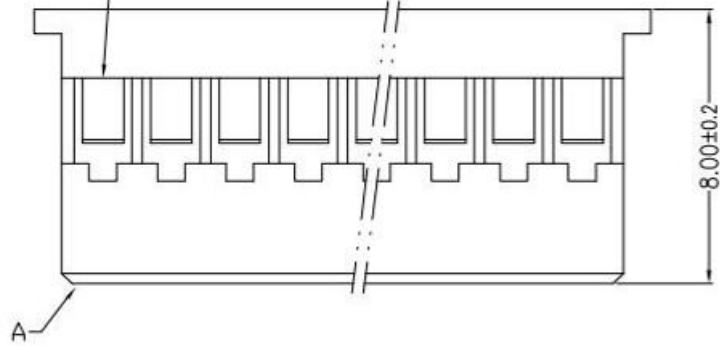




# RoHS

REV	ECN NO	DESCRIPTION	DATE	NAME
A	—	NEW	11/23-'19	HYJ

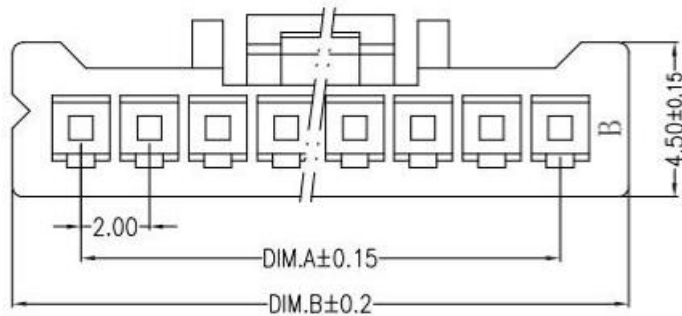
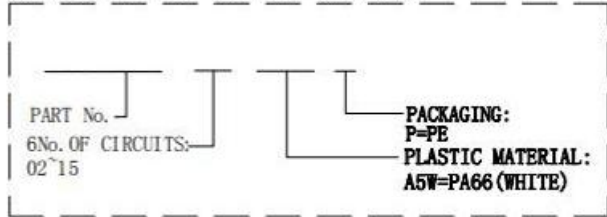
Circuit 1



## Main Specifications

Poles: 02 to 15  
 Contact resistance:  $\leq 20m \Omega$   
 Insulation resistance:  $\geq 1000M \Omega$   
 Rated voltage: 250V AC DC  
 Rated current: 3.0A AC DC  
 Withstand Voltage: 1000V AC/minute  
 Temperature Range:  $-25^{\circ}C \sim +85^{\circ}C$

## ORDER INFORMATION:



Circuits	Dimensions(mm)	
	A	B
02	2.00	6.00
03	4.00	8.00
04	6.00	10.00
05	8.00	12.00
06	10.00	14.00
07	12.00	16.00
08	14.00	18.00
09	16.00	20.00
10	18.00	22.00
11	20.00	24.00
12	22.00	26.00
13	24.00	28.00
14	26.00	30.00
15	28.00	32.00

A	PEDESTAL	1 PCS	PA66	WHITE
ITEM	COMPONENT	Q'TY	MATERIAL	COLOR

# 广东科斯达开关厂

STANDARD TOLERANCE (EXCEPT SPECIFIED)	
LINER	ANGLES
.0 ±0.30	0.° ±3°
.00 ±0.20	.0° ±2°
.000 ±0.10	.00° ±1°

TITLE	L2008Y 2.0MM PITCH Housing	DRAWN BY	HYJ	11/23-'19
PART NO		CHECKED BY		
DRAWING NO		APPROVED BY		
SCALE	1:1	UNIT	mm	PAGE 1/1
				SIZE A4