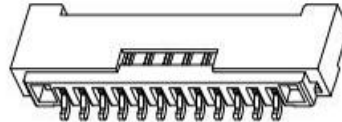
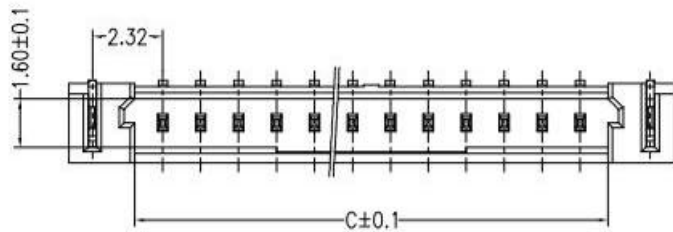
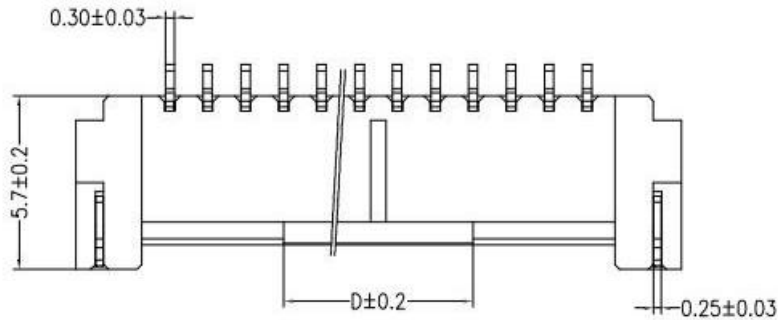
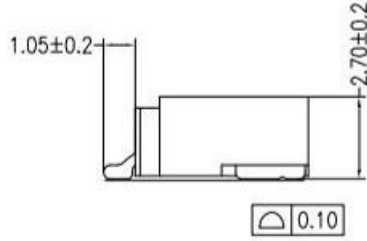
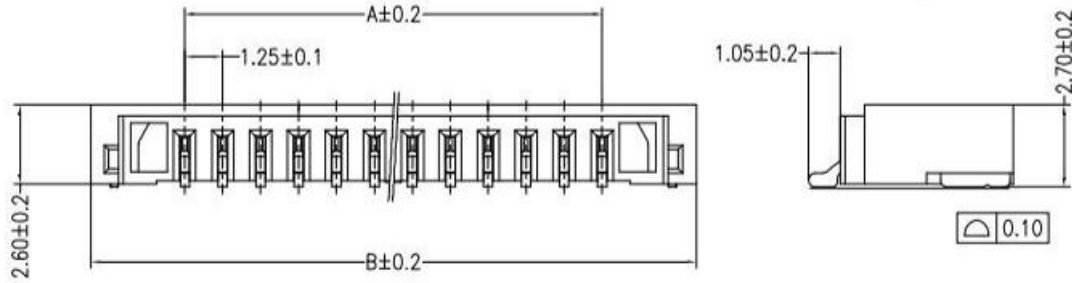
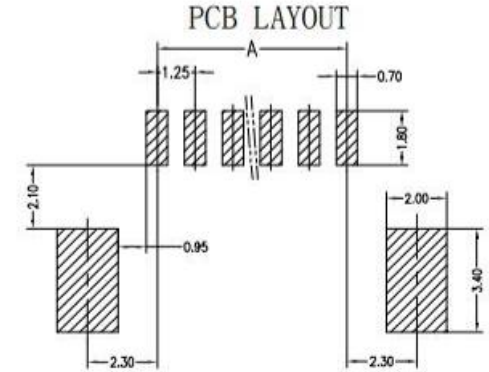


# RoHS

REV	ECN NO	DESCRIPTION	DATE	NAME
A	—	NEW	11/28-'19	LZM



孔位	DIM A	DIM B	DIM C	DIM D
2pin	1.25	7.45	3.05	2.50
3pin	2.50	8.70	4.30	3.00
4pin	3.75	9.95	5.55	3.75
5pin	5.00	11.20	6.80	5.00
6pin	6.25	12.45	8.05	
7pin	7.50	13.70	9.30	
8pin	8.75	14.95	10.55	
9pin	10.00	16.20	11.80	
10Pin	11.25	17.45	13.05	
11Pin	12.50	18.70	14.30	
12pin	13.75	19.95	15.55	
13pin	15.00	21.20	16.80	
14pin	16.25	22.45	18.05	
15pin	17.50	23.70	19.30	
16Pin	18.75	24.95	20.55	
17pin	20.00	26.20	21.80	
18Pin	21.25	27.45	23.05	
19pin	22.50	28.70	24.30	
20Pin	23.75	29.95	25.55	
21Pin	25.00	31.20	26.80	
22pin	26.25	32.45	28.05	
23Pin	27.50	33.70	29.30	
24Pin	28.75	34.95	30.55	
25Pin	30.00	36.20	31.80	
26pin	31.25	37.45	33.05	
27Pin	32.50	38.70	34.30	
28Pin	33.75	39.95	35.55	
29Pin	35.00	41.20	36.80	
30Pin	36.25	42.45	38.05	



## Main Specifications

Poles:02 to 30

Contact resistance:≤20m Ω

Insulation resistance:≥500M Ω

Rated voltage:150V AC DC

Rated current:1.0A AC DC

Withstand Voltage:500V AC/minute

Temperature Range:-40°C~+120°C

## ORDER INFORMATION:



# 广东科斯达开关厂

TITLE	1.25mm Pitch 90° Wafer SMT TYPE	DRAWN BY	LZM	DATE	11/28-'19
PART NO.		CHECKED BY			
DRAWING NO.		APPROVED BY			
SCALE	1:1	UNIT	mm	PAGE	1/1
		SIZE	A4		

## STANDARD TOLERANCE (EXCEPT SPECIFIED)

LINER	ANGLES
.0 ±0.30	0.° ±5°
.00 ±0.25	.0° ±2°
.000 ±0.10	.00° ±1°

ITEM	COMPONENT	Q'TY	MATERIAL	FINISH
C	SOLDER TAB	2 PCS	PhosphorBronze	MATTE Sn-plated
B	CONTACT	2~30 PCS	PhosphorBronze	MATTE Sn-plated
A	HOUSING	1 PCS	LCP	UL 94V-0, COLOR:BEIGE