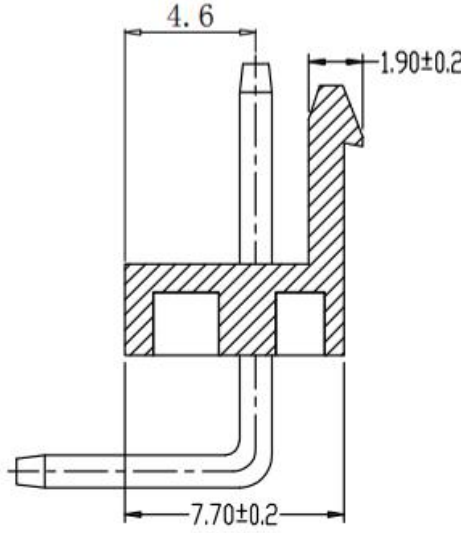
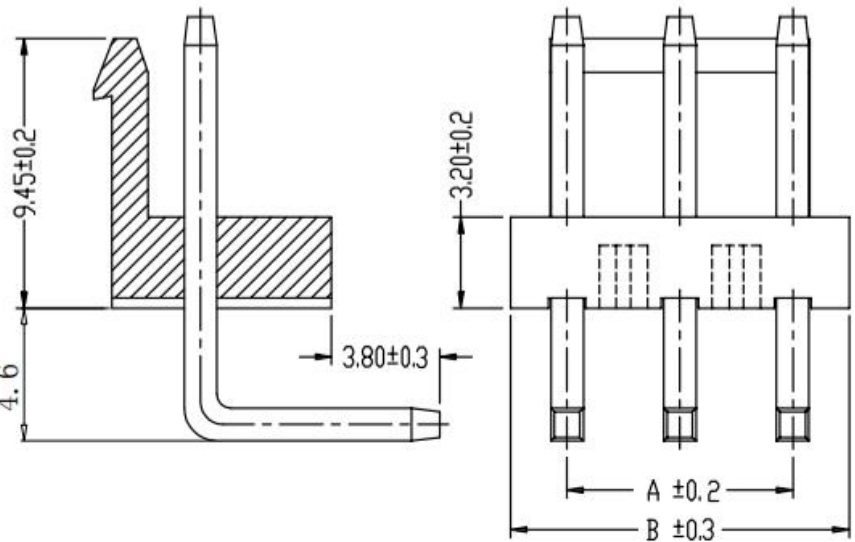


RoHS

REV	ECN NO	DESCRIPTION	DATE	NAME
A		NEW		



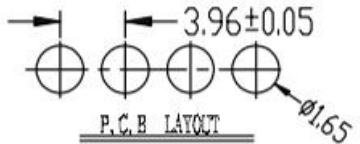
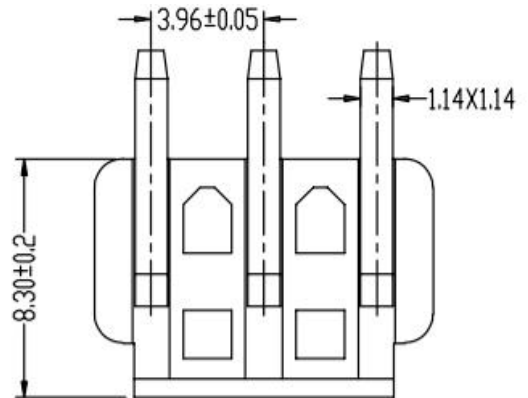
Note:

1.Material
 1.1: Housing: NY66, Color:White
 1.2: Contact: Brass,Tin.

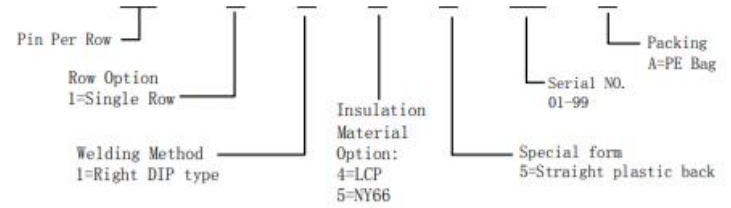
2.Rating:
 2.1: Operating Voltage: 250V AC/DC.
 2.2: Current Rating: 10A AC/DC.
 2.3: Operating Temperature:-25°C~+85°C.
 2.4: Contact Resistance:30 mΩ max.
 2.5: nsulation Resistance:1000 MΩ min.
 2.6: Dielectric withstanding Voltage: AC 1500V

3.Pater Number:

PIN NO.	Dimensions	
	A	B
2P	3.96	7.92
3P	7.92	11.88
4P	11.88	15.84
5P	15.84	19.80
6P	19.80	23.76
7P	23.76	27.72
8P	27.72	31.68
9P	31.68	35.64
10P	35.64	39.60
11P	39.60	43.56
12P	43.56	47.52
13P	47.52	51.48
14P	51.48	55.44
15P	55.44	59.40
16P	59.40	63.36



Ordering Information



广东科斯达开关厂

STANDARD TOLERANCE (EXCEPT SPECIFIED)	
LINER	ANGLES
.0	±0.30
.00	±0.20
.000	±0.10
0.°	±3°
.0°	±2°
.00°	±1°

TITLE	PH3, 96mm Wafer Single row, DIP Right type with Straight plastic back	DRAWN BY	WZG	17.03.30
PART NO		CHECKED BY		
DRAWING NO		APPROVED BY		
SCALE	1:1	UNIT	mm	PAGE 1/1
				SIZE A4