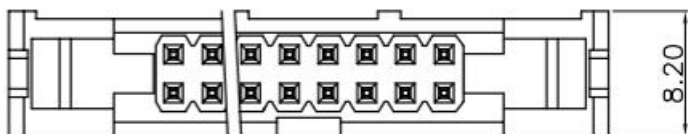
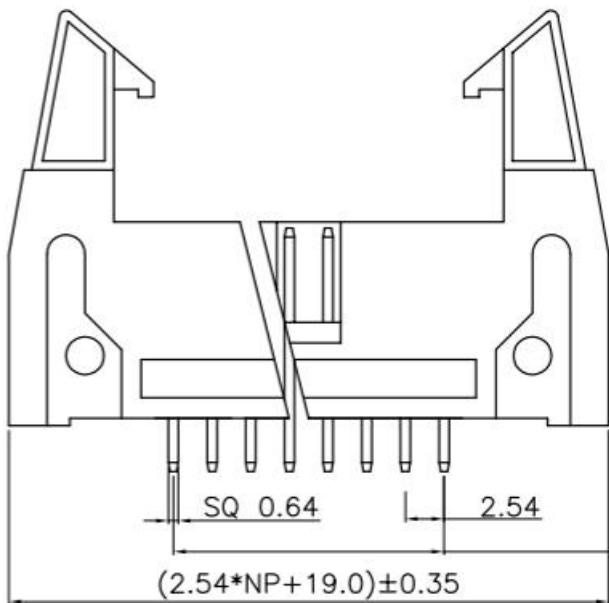


RoHS

REV	ECN NO	DESCRIPTION	DATE	NAME
A		NEW		



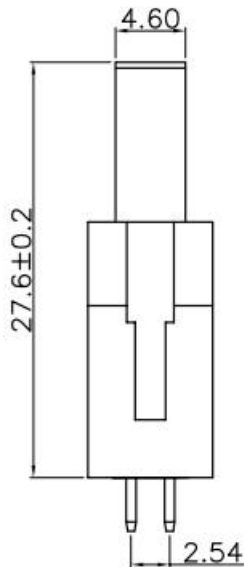
8.20



SQ 0.64

2.54

$(2.54 * NP + 19.0) \pm 0.35$

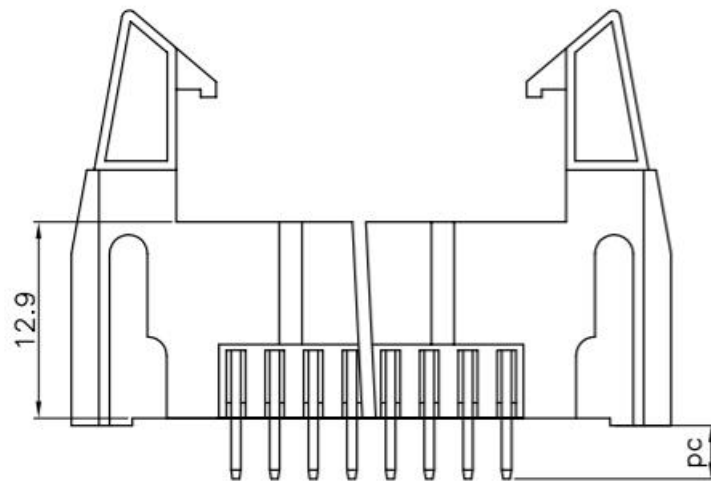


4.60

27.6 ± 0.2

2.54

$(2.54 * NP - 2.54) \pm 0.2$



12.9

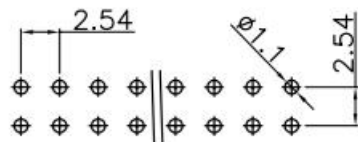
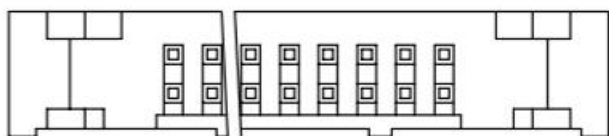
PC

1. MATERIALS AND FINISH

- 1.1 HOUSING MATERIALS: As follows
- 1.2 CONTACTS: Brass
- 1.3 PLATING: As follows

2. SPECIFICATIONS

- 2.1 CURRENT RATING: 3AMP
- 2.2 INSULATION RESISTANCE: 1000MΩ
- 2.3 DIELECTRIC WITHSTANDING VOLTAGE: 1000V AC/DC.
- 2.4 OPERATING TEMPERATURE: -40°C TO +105°C.



PCB LAYOUT

Ordering Information

塑胶高度H 12.9	PIN数 01~40	1、PBT 2、NY6T 3、NY66 4、LCP 5、NY66 6、 7、NY46 8、NY9T	0、Au0.8u" 1、Au1u" 2、Au1.5u" 3、Au2u" 4、Au3u" 5、Au5u" 6、Au10u" 7、半金锡 8、镀亮锡 9、镀雾锡	01-69不带柱 70-99带内柱	A袋装 B管装 C盘装 D卷装
---------------	---------------	--	---	----------------------	--------------------------

广东科斯达开关厂

STANDARD TOLERANCE (EXCEPT SPECIFIED)

LINER		ANGLES	
.0	± 0.30	0.°	$\pm 3^\circ$
.00	± 0.20	.0°	$\pm 2^\circ$
.000	± 0.10	.00°	$\pm 1^\circ$

TITLE	2.54 Ejector Header Straight Type	DRAWN BY	ZSL	18.08.20
PART NO		CHECKED BY		
DRAWING NO		APPROVED BY		
SCALE	1:1	UNIT	mm	PAGE 1/1
				SIZE A4