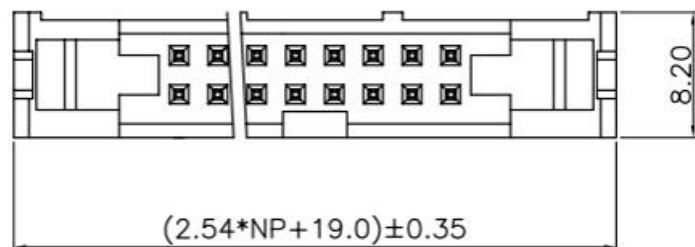
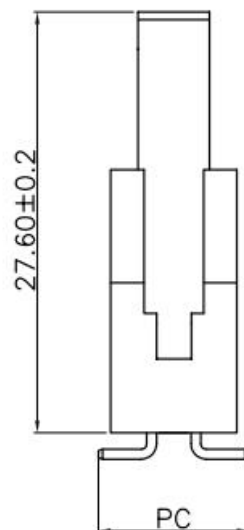
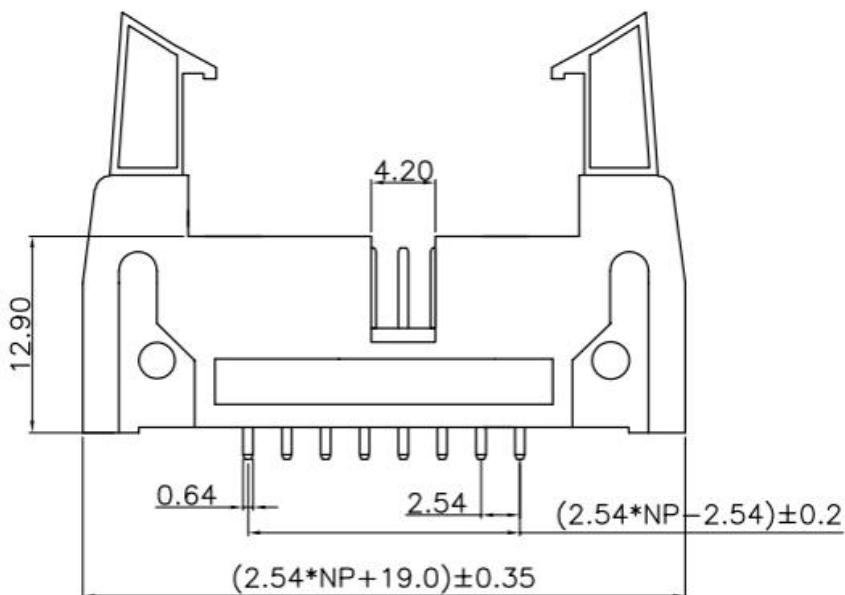


RoHS

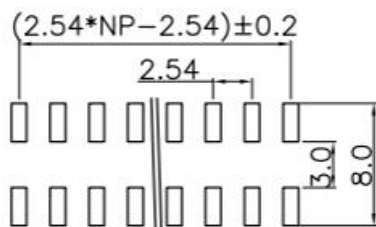
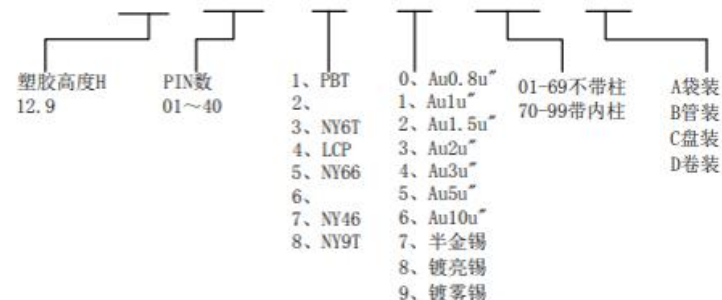
REV	ECN NO	DESCRIPTION	DATE	NAME
A		NEW		



1. MATERIALS AND FINISH
 - 1.1 HOUSING MATERIALS: Asfollows
 - 1.2 CONTACTS: Brass
 - 1.3 PLATING: Asfollows
2. SPECIFICATIONS
 - 2.1 CURRENT RATING: 3AMP
 - 2.2 INSULATION RESISTANCE: 1000MΩ
 - 2.3 DIELECTRIC WITHSTANDING VOLTAGE: 1000V AC/DC.
 - 2.4 OPERATING TEMPERATURE: -40℃ TO +105℃.



Ordering Information



PCB LAYOUT

STANDARD TOLERANCE (EXCEPT SPECIFIED)	
LINER	ANGLES
.0 ±0.30	0.° ±3°
.00 ±0.20	.0° ±2°
.000 ±0.10	.00° ±1°

广东科斯达开关厂

TITLE		2.54 Ejector Header SMT Type		DRAWN BY		ZSL		18.10.13	
PART NO				CHECKED BY					
DRAWING NO				APPROVED BY					
SCALE	1:1	UNIT	mm	⊗	PAGE	1/1	SIZE	A4	