

REV	ECN NO	DESCRIPTION	DATE	NAME
A	—	NEW	11/21-'19	LZM

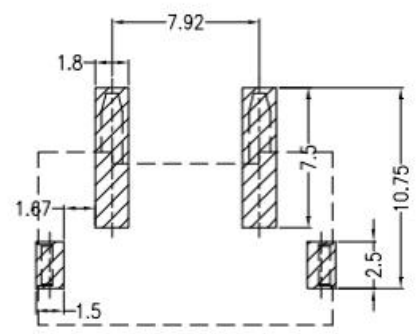
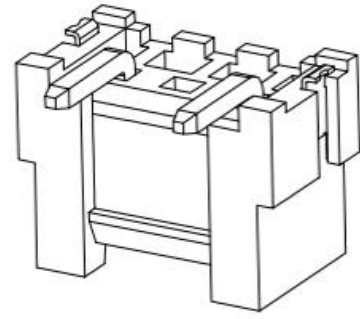
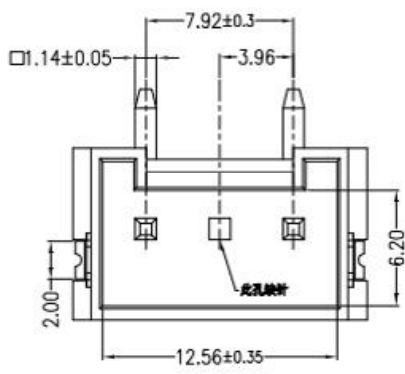
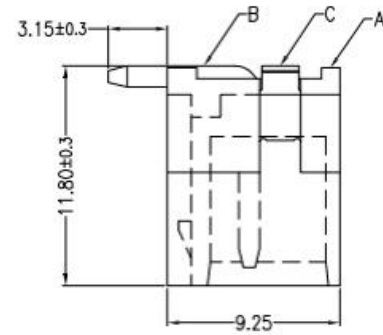
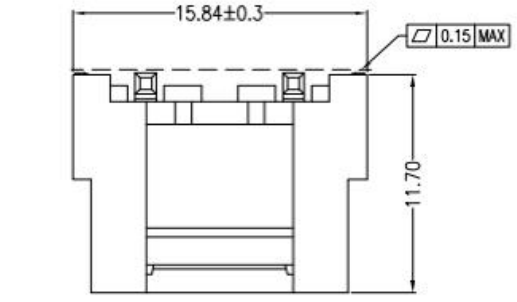
RoHS

主要技术参数 Main Specifications

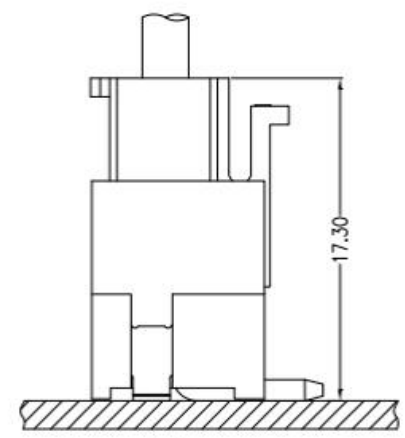
- 线 数 (Poles) :02 to 16
- 接触电阻 (Contact resistance): $\leq 20m\ \Omega$
- 绝缘电阻 (Insulation resistance): $\geq 1000M\ \Omega$
- 额定电压 (Rated voltage):250V AC DC
- 额定电流 (Rated current):7.0A AC DC
- 耐 电 压 (Withstand Voltage):1500V AC/minute
- 温度范围 (Temperature Range):-25°C~+105°C

ORDER INFORMATION:

PART No.		PACKAGING:
No. OF CIRCUITS:		R=REEL
03 (2)		G=TUBE
PLASTIC MATERIAL:		P=PE
D1C=PA9T (BEIGE)		PLATING:
		2=Brass
		PLATING:
		A=Sn



Mating PCB detail



Assembly Layout

STANDARD TOLERANCE (EXCEPT SPECIFIED)	
LINER	ANGLES
.0 ±0.30	0.° ±3°
.00 ±0.20	.0° ±2°
.000 ±0.10	.00° ±1°

ITEM	COMPONENT	Q'TY	MATERIAL	FINISH
C	SOLDER TAB	2 PCS	PhosphorBronze	Sn-plated
B	CONTACT	2 PCS	Brass	Sn-plated
A	PEDESTAL	1 PCS	PA9T	UL 94V-0, COLOR:BEIGE

广东科斯达开关厂

TITLE	3.96MM PITCH 180° WAFER SMT TYPE	DRAWN BY	LZM	11/21-'19
PART NO		CHECKED BY		
DRAWING NO		APPROVED BY		
SCALE	1:1	UNIT	mm	PAGE 1/1
				SIZE A4