

RoHS

REV	ECN NO	DESCRIPTION	DATE	NAME
A		NEW		

Note:

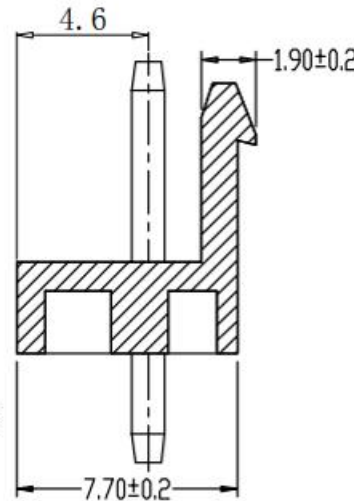
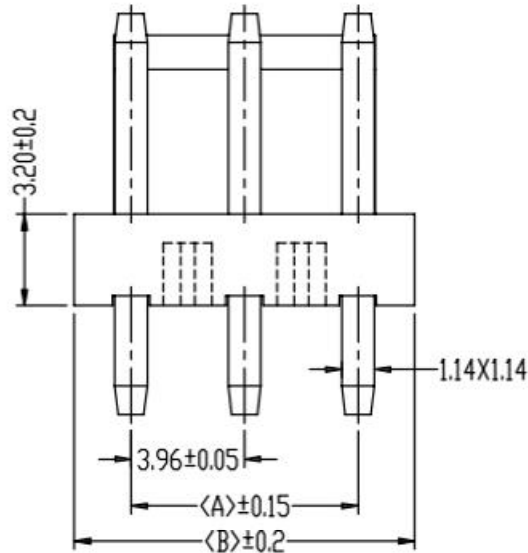
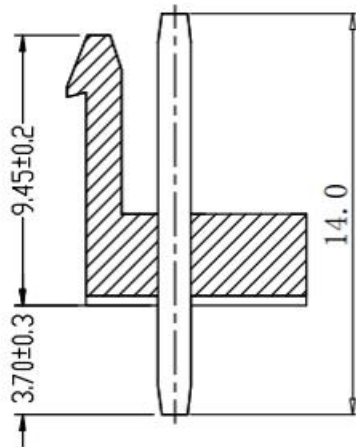
1.Material

- 1.1: Housing: NY66, Color:White
- 1.2: Contact: Brass,Tin.

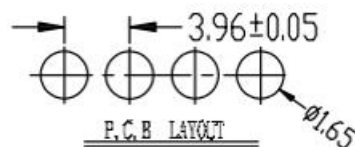
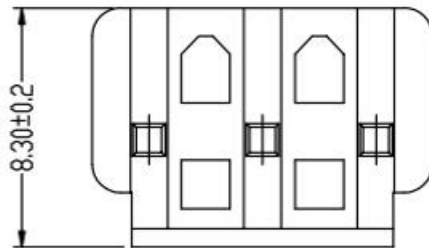
2.Rating:

- 2.1: Operating Voltage: 250V AC/DC.
- 2.2: Current Rating: 10A AC/DC.
- 2.3: Operating Temperature:-25°C~+85°C.
- 2.4: Contact Resistance:30 mΩ max.
- 2.5: nsulation Resistance:1000 MΩ min.
- 2.6: Dielectric withstanding Voltage: AC 1500V

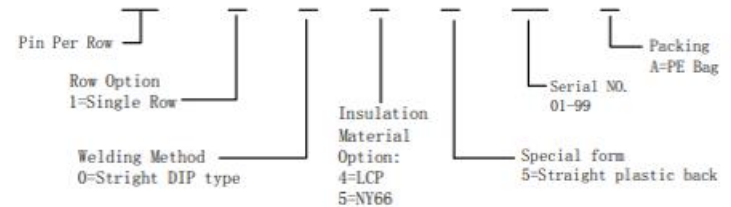
3.Pater Number:



PIN NO.	Dimensions	
	A	B
2P	3.96	7.92
3P	7.92	11.88
4P	11.88	15.84
5P	15.84	19.80
6P	19.80	23.76
7P	23.76	27.72
8P	27.72	31.68
9P	31.68	35.64
10P	35.64	39.60
11P	39.60	43.56
12P	43.56	47.52
13P	47.52	51.48
14P	51.48	55.44
15P	55.44	59.40
16P	59.40	63.36



Ordering Information



广东科斯达开关厂

TITLE	PH3.96mm Water Single row, DIP straight type with Straight plastic back		DRAWN BY	WZG	17.03.30
PART NO		CHECKED BY			
DRAWING NO		APPROVED BY			
SCALE	1:1	UNIT	mm	PAGE	1/1
				SIZE	A4

STANDARD TOLERANCE (EXCEPT SPECIFIED)			
LINER		ANGLES	
.0	±0.30	0.°	±3°
.00	±0.20	.0°	±2°
.000	±0.10	.00°	±1°