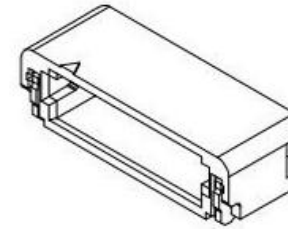


RoHS

REV	ECN NO	DESCRIPTION	DATE	NAME
A	—	NEW	11/23-'19	ZCD



CKT	DM A	DM B	DM C	DM D
2	0.6	1.36	3.00	2.35
4	1.80	2.56	4.20	3.55
5	2.40	3.16	4.80	4.15
6	3.00	3.76	5.40	4.75
7	3.60	4.36	6.00	5.35
8	4.20	4.96	6.60	5.95
10	5.40	6.16	7.80	7.15
12	6.60	7.36	9.00	8.35
14	7.80	8.56	10.20	9.55
16	9.00	9.76	11.40	10.75

Main Specifications

Poles:02 to 16

Contact resistance: $\leq 40m\ \Omega$

Insulation resistance: $\geq 100M\ \Omega$

Rated voltage:30V AC DC

Rated current:0.2A AC DC

Withstand Voltage:100V AC/minute

Temperature Range:-55°C~+85°C

Ordering Information

PART No. _____

No.OF CIRCUITS: _____

02~16

PLASTIC MATERIAL: _____

FOK=LCP(BLACK)

PACKAGING:

R=REEL

P=PE

Metal code:

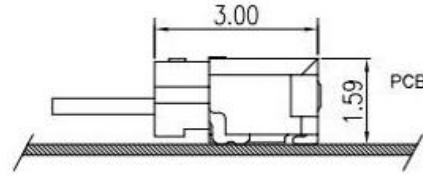
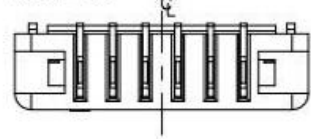
1=PhosphorBronze

PLATING:

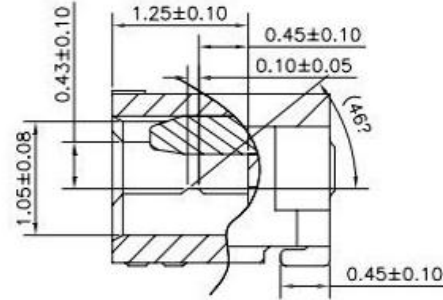
B=Matte Sn

C=GOLD FLASH

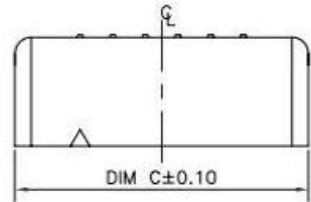
CAVITY NO.



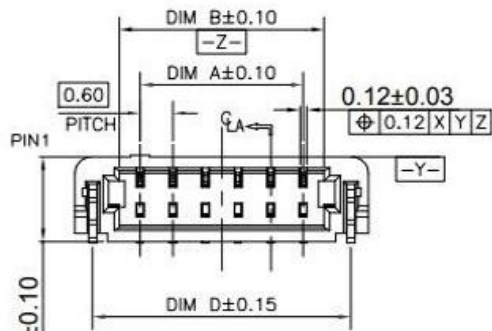
MATED CONDITION



SECTION A-A

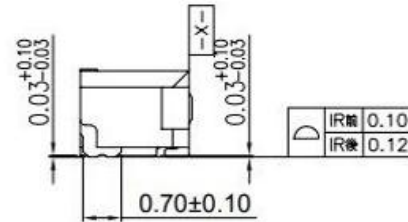


DIM C ± 0.10

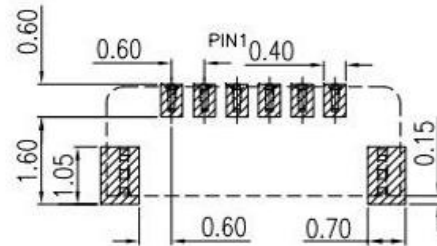


1.55 ± 0.10

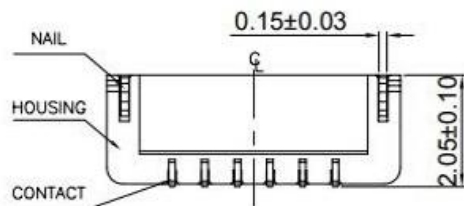
DIM D ± 0.15



0.70 ± 0.10



0.60 0.70



0.15 ± 0.03

2.05 ± 0.10

RECOMMEND PCB LAYOUT
GENERAL TOLERANCE ± 0.05

STANDARD TOLERANCE
(EXCEPT SPECIFIED)

LINER	ANGLES
.0 ± 0.30	0.° $\pm 5^\circ$
.00 ± 0.25	.0° $\pm 2^\circ$
.000 ± 0.10	.00° $\pm 1^\circ$

ITEM	COMPONENT	Q'TY	MATERIAL	FINISH
C	SOLDER TAB	2 PCS	PhosphorBronze	MATTE Sn-plated
B	CONTACT	N PCS	PhosphorBronze	MATTE Sn-plated/GOLD FLASH
A	HOUSING	1 PCS	LCP	UL 94V-0, COLOR:BLACK

广东科斯达开关厂

TITLE	L0801AWR	DRAWN BY	ZCD	DATE	11/23-'19
PART NO.		CHECKED BY			
DRAWING NO.		APPROVED BY			
SCALE	1:1	UNIT	mm	PAGE	1/1
SIZE	A4				