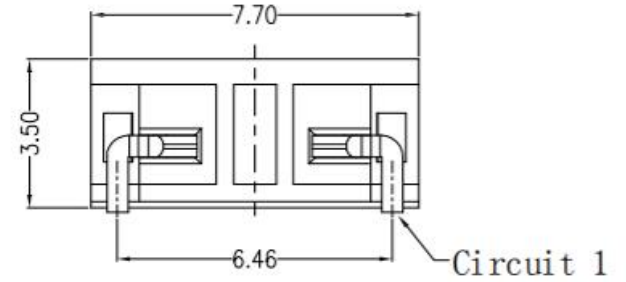
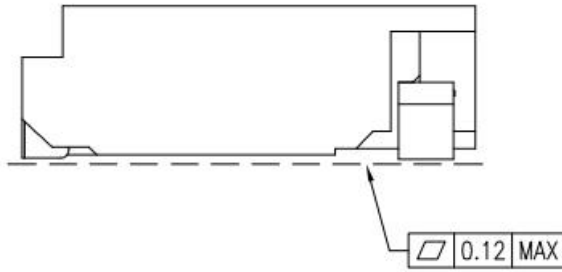
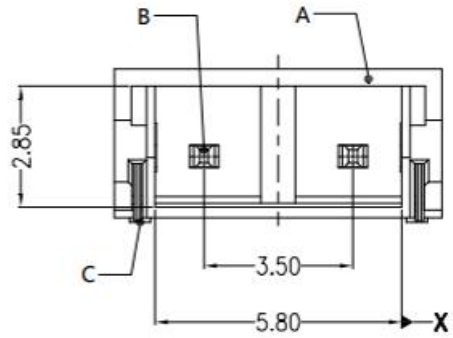


REV	ECN NO	DESCRIPTION	DATE	NAME
A		NEW	11/21-'19	LZM

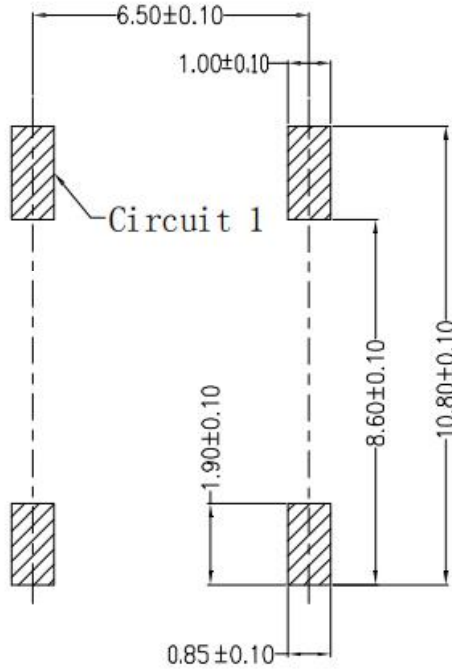
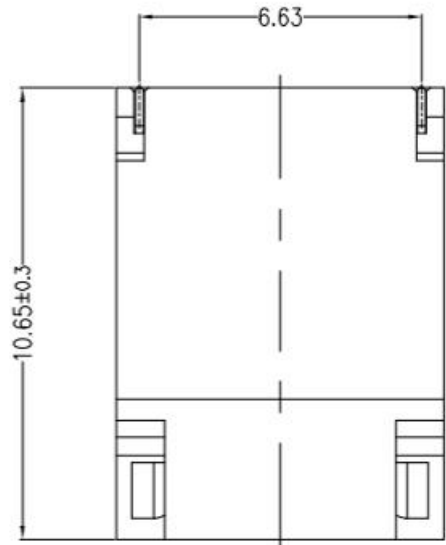
# RoHS



## 主要技术参数 Main Specifications

- 线数 (Poles) :02
- 接触电阻 (Contact resistance): $\leq 20m\ \Omega$
- 绝缘电阻 (Insulation resistance): $\geq 1000M\ \Omega$
- 额定电压 (Rated voltage):1400V AC DC
- 额定电流 (Rated current):1.0A AC DC
- 耐电压 (Withstand Voltage):3800V AC/minute
- 温度范围 (Temperature Range):-25°C~+105°C

## ORDER INFORMATION:



## SUGGESTED PCB LAYOUT (COMPONENT SIDE)

C	SOLDER TAB	2 PCS	PhosphorBronze	Sn-plated
B	CONTACT	2 PCS	PhosphorBronze	Sn-plated
A	PEDESTAL	1 PCS	LCP	UL 94V-0, COLOR:BEIGE
ITEM	COMPONENT	Q'TY	MATERIAL	FINISH

### STANDARD TOLERANCE (EXCEPT SPECIFIED)

LINER	ANGLES
.0 ±0.30	0.° ±3°
.00 ±0.20	.0° ±2°
.000 ±0.10	.00° ±1°

# 广东科斯达开关厂

TITLE	3.5MM PITCH 90° WAFER SMT TYPE	DRAWN BY	LZM	11/21-'19
PART NO		CHECKED BY		
DRAWING NO		APPROVED BY		
SCALE	1:1	UNIT	mm	
PAGE	1/1	SIZE	A4	