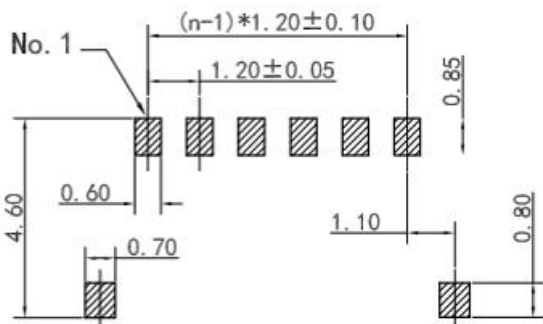
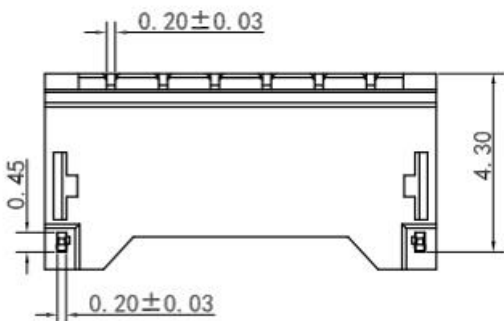
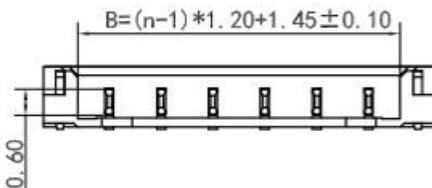
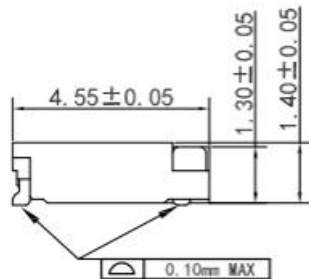
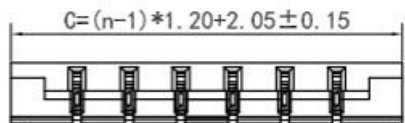
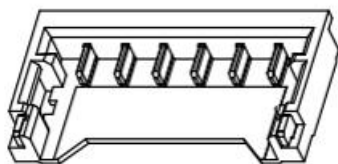
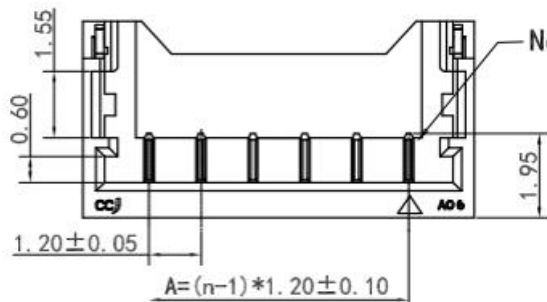


RoHS

TABLE:

N	A	B	C
2	1.20	2.65	4.25
3	2.40	3.85	5.45
4	3.60	5.05	6.65
5	4.80	6.25	7.85
6	6.00	7.45	9.05

REV	ECN NO	DESCRIPTION	DATE	NAME
A	—	NEW	KJL	09/17-21



RECOMMENDED P. C. B LAYOUT

适应公差: ±0.05

材料规格 基座: LCP 黑色  
 端子: 磷铜 T=0.20±0.01mm 镀金1u"  
 焊片: 磷铜 T=0.20±0.01mm 镀锡80-120u"  
 额定电流 Current rating: 1.0A or 1.5A  
 额定电压 Voltage rating: 50V  
 耐电压 Withstand coltage: 500V AC/minute  
 接触电阻 Contact resistance : ≤20mΩ  
 绝缘电阻 Insulation resistance: 100MΩ  
 工作温度 Working temperature: -25° c ~ +85° c

## Ordering Information

LA1201 - XX XX L X X XX X

NO. of Pins Per Row	Insulation Height	Insulator Material	Contact Plating	Serial NO. 01-99	Packing A=PE Bag B=Tube C=Tray D=Reel
01-99P	14=1.4mm	1:PBT 2:LCP 3:NY46 4:NY66 5:NY6T 6:NY9T	1: Au1u" 2: Au3u" 3: Au5u" 4: Au10u" 5: Au15u" 6: Au30u" 7: Gold/TIn 8: Tin 9: Customized		

BOM表:

序号	品名	材料规格	电镀方式/颜色	使用数量
3	1.20mm间距卧贴焊片=1.4mmNTB焊片	PhosphorBronze T=0.20MM	Sn:80-120u"	2 SET
2	1.20mm间距卧贴焊片=1.4mmNTB端子	PhosphorBronze T=0.20MM	Au:1u"	n PCS
1	1.20mm间距卧贴焊片=1.4mmNTB基座	LCP 11.94V-0	黑色	1 PCS

STANDARD TOLERANCE (EXCEPT SPECIFIED)

LINER	ANGLES
.0 ±0.30	0.° ±3°
.00 ±0.20	.0° ±2°
.000 ±0.10	.00° ±1°

# 广东科斯达开关厂

TITLE	WF-C PH1.2 1XNP 卧贴 H1.4	DRAWN BY	KJL	DATE	09/17-21
PART NO.		CHECKED BY			
DRAWING NO.		APPROVED BY			
SCALE	1:1	UNIT	mm	PAGE	1/1
SIZE	A4				