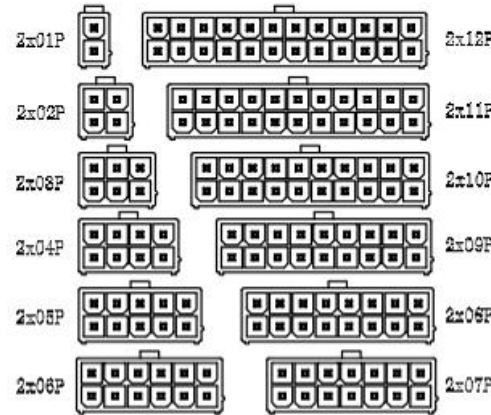
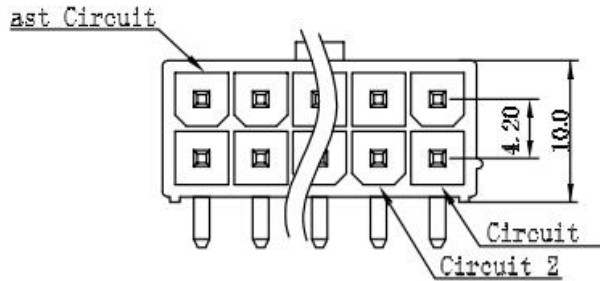


RoHS

REV	ECN NO	DESCRIPTION	DATE	NAME
A		NEW		



Note:

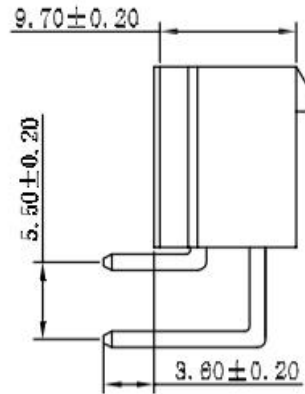
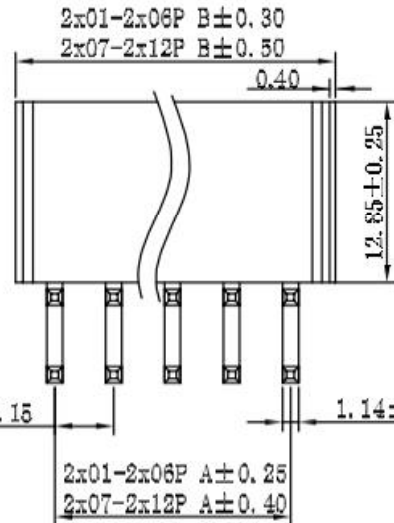
1.Material

- 1.1: Housing: NY66, Color:White
- 1.2: Contact: Brass,Tin.

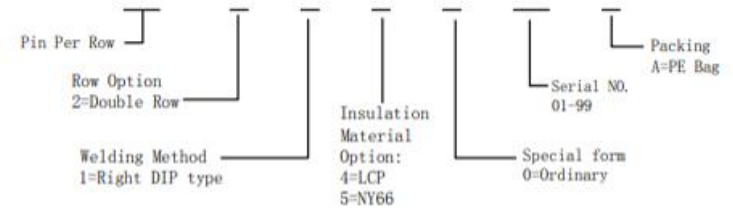
2.Rating:

- 2.1: Operating Voltage: 600V AC/DC.
- 2.2: Current Rating: 7A AC/DC.
- 2.3: Operating Temperature: -25°C~+85°C.
- 2.4: Contact Resistance:30 mΩ max.
- 2.5: nsulation Resistance:1000 MΩ min.
- 2.6: Dielectric withstanding Voltage: AC 1500V

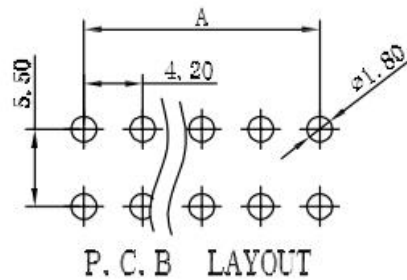
3.Pater Number:



Ordering Information



2x01-2x06P A±0.25
2x07-2x12P A±0.40



PART NO.	Dimensions (mm)	
	A	B
2x01	--	5.80
2x02	4.20	9.80
2x03	8.40	14.00
2x04	12.60	18.20
2x05	16.80	22.40
2x06	21.00	26.60
2x07	25.20	30.80
2x08	29.40	35.00
2x09	33.60	39.20
2x10	37.80	43.40
2x11	42.00	47.60
2x12	46.20	51.80

STANDARD TOLERANCE (EXCEPT SPECIFIED)

LINER		ANGLES	
.0	±0.30	0.°	±3°
.00	±0.20	.0°	±2°
.000	±0.10	.00°	±1°

广东科斯达开关厂

TITLE	PH4.2mm Wafer Double row, DIP Right type	DRAWN BY	WZG	17.03.30
PART NO		CHECKED BY		
DRAWING NO		APPROVED BY		
SCALE	1:1	UNIT	mm	PAGE 1/1 SIZE A4