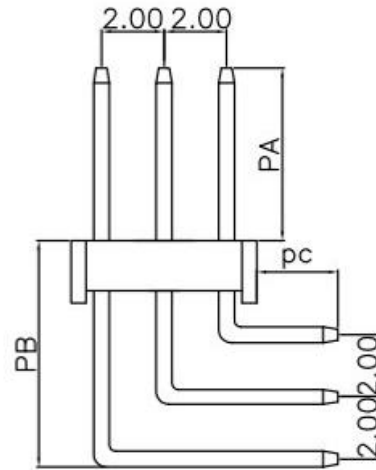
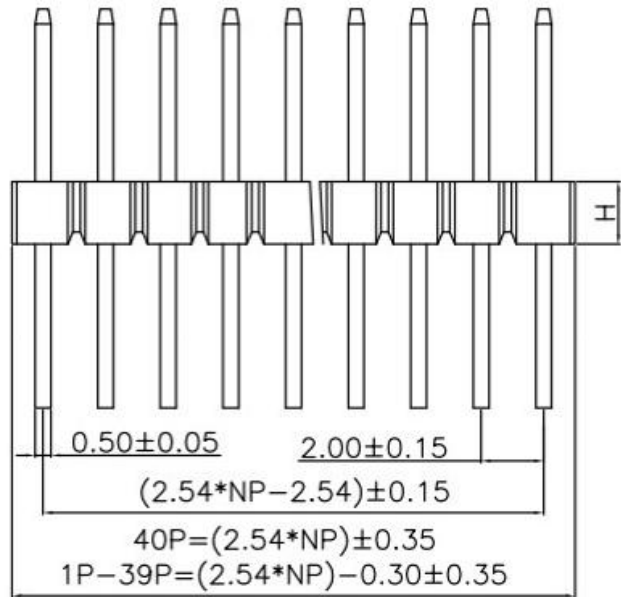
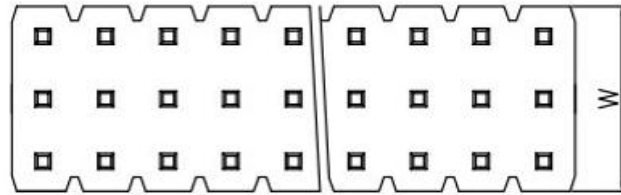


RoHS

REV	ECN NO	DESCRIPTION	DATE	NAME
A		NEW		

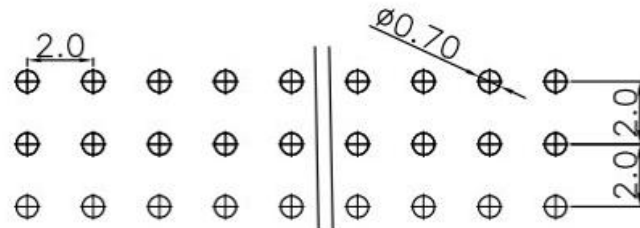


- Specifications
- 1.Current Rating:2.0Amps
 - 2.Insulation Resistance:1000 MΩ min.
 - 3.Dielectric withstanding Voltage: 500V AC/DC
 - 4.Contact Resistance:20 mΩ max.
 - 5.Operating Temperature:-40℃ to+105℃
 - 6.Contact Material: Brass
 - 7.Insulation Material:As follows,UL94V-0,Black
 - 8.Plated: Au Over Ni

Ordering Information

Insulation Height*Wide (H*W) Option: 20=2.00*6.0	NO. of Pins Per Row: 1-50P	Insulation Material Option: 1=PBT 2=PPS 3=NY6T 4=LCP 5=NY66 6=Customized 7=NY46 8=NY9T	Contact Plating 0=0.8" Gold 1=Au1" Gold 2=Au1.5" Gold 3=Au2" Gold 4=Au3" Gold 5=Au5" Gold 6=Customized 7=Gold/Tin 8=Tin	Serial NO. 01-69	Packing A=PE Bag B=Tube C=Tray D=Reel
--	-------------------------------	---	--	---------------------	---

Dimension antitheses list					
ITEM	PC	PB	PA	H	Pin Length
Standard	2.80	7.20	5.00	2.00	12.2/16.2/20.2
Alternate					



PCB LAYOUT

STANDARD TOLERANCE (EXCEPT SPECIFIED)			
LINER	ANGLES		
.0	±0.30	0.°	±3°
.00	±0.20	.0°	±2°
.000	±0.10	.00°	±1°

广东科斯达电子科技有限公司

TITLE	PH2.00mm Pin Header Three lines 90°	DRAWN BY	YTT	16.02.03
PART NO		CHECKED BY		
DRAWING NO		APPROVED BY		
SCALE	1:1	UNIT	mm	PAGE 1/1
				SIZE A4