

# RoHS

REV	ECN NO	DESCRIPTION	DATE	NAME
A		NEW		

Note:

1.Material

- 1.1: Housing: NY66, Color:Nature
- 1.2: Contact: Brass,Tin.

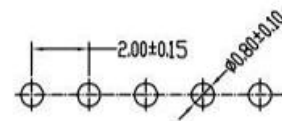
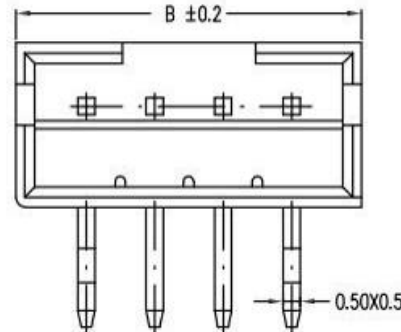
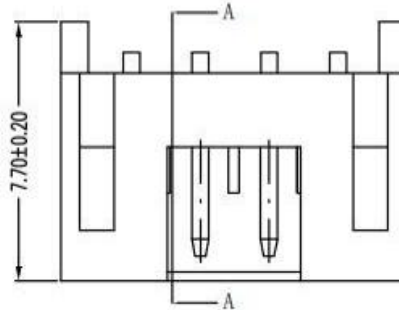
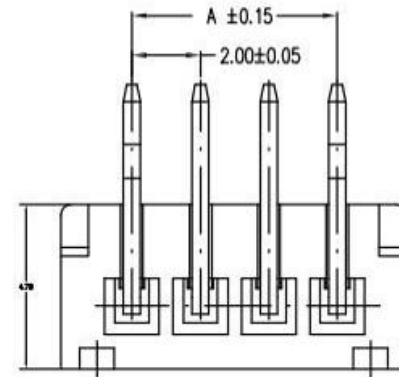
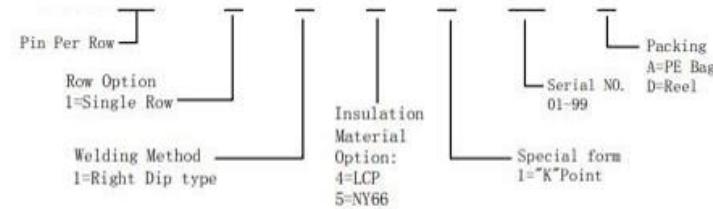
2.Rating:

- 2.1: Operating Voltage: 125V AC/DC.
- 2.2: Current Rating: 2A AC/DC.
- 2.3: Operating Temperature:-25°C~+85°C.
- 2.4: Contact Resistance:30 mΩ max.
- 2.5: nsulation Resistance:1000 MΩ min.
- 2.6: Dielectric withstanding Voltage: AC 500V
- 2.7:Applicable Wire:AWG#24~#30

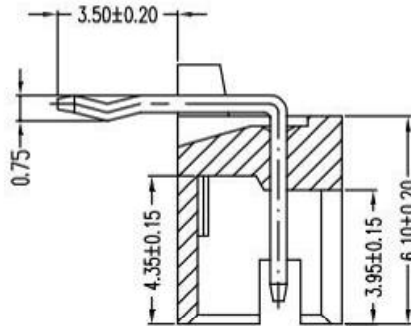
3.Pater Number:

Pin NO	Dimensions	
	A	B
2P	2.00	6.00
3P	4.00	8.00
4P	6.00	10.00
5P	8.00	12.00
6P	10.00	14.00
7P	12.00	16.00
8P	14.00	18.00
9P	16.00	20.00
10P	18.00	22.00
11P	20.00	24.00
12P	22.00	26.00
13P	24.00	28.00
14P	26.00	30.00
15P	28.00	32.00
16P	30.00	34.00

## Ordering Information



P.C.B. LAYOUT



SECTION A-A

### STANDARD TOLERANCE (EXCEPT SPECIFIED)

LINER	ANGLES
.0 ± 0.30	0.° ± 3°
.00 ± 0.20	.0° ± 2°
.000 ± 0.10	.00° ± 1°

## 广东科斯达开关厂

TITLE		PH2.0mm Wafer Single row, Right Dip type	DRAWN BY		WZG	17.03.30
PART NO			CHECKED BY			
DRAWING NO			APPROVED BY			
SCALE	1:1	UNIT	mm	PAGE	1/1	SIZE A4