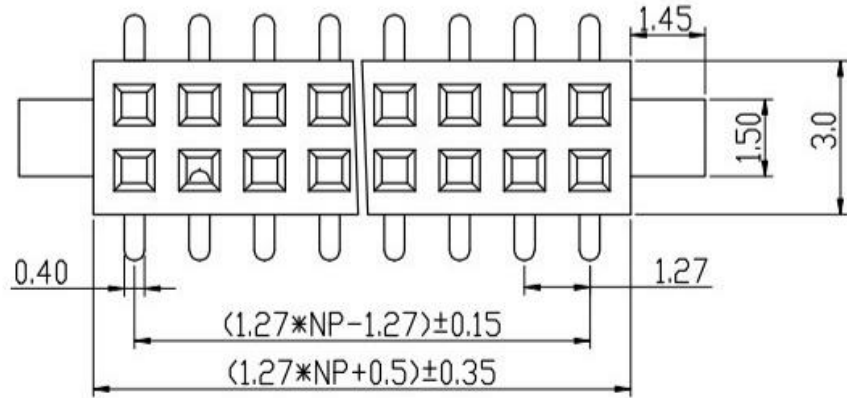


HSF RoHS

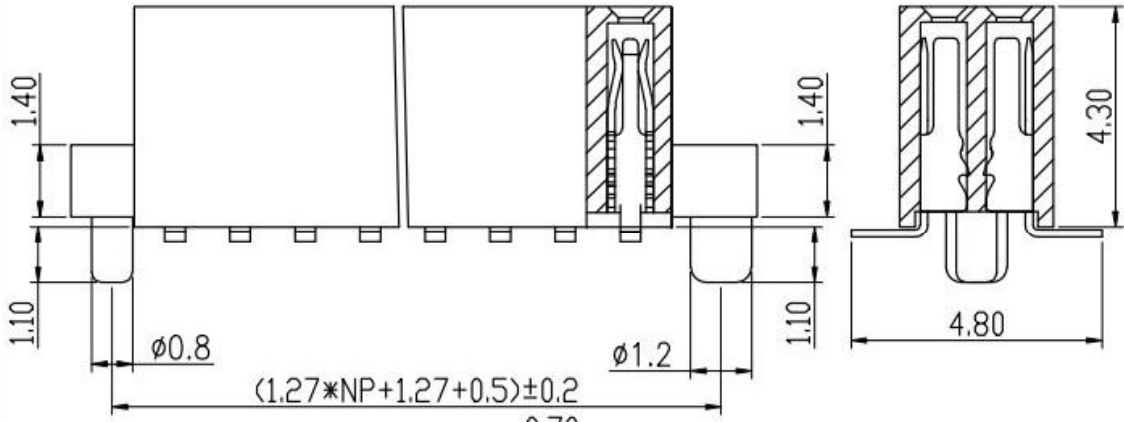
REV	ECN NO	DESCRIPTION	DATE	NAME
A		NEW		



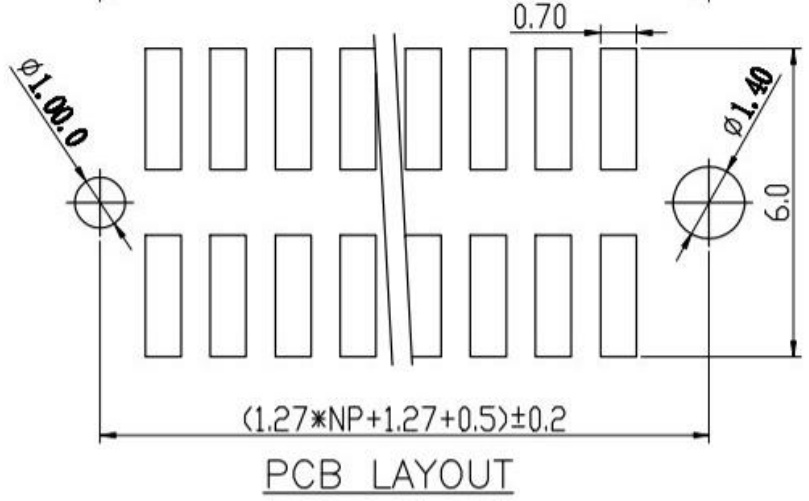
Specifications

1. Current Rating: 1Amps
2. Contact Resistance: 20mΩ
3. Insulator Resistance: 1000 Megohms min.
4. Dielectric withstanding Voltage: AC/DC 500V
5. Operating Temperature: -40°C to +105°C
6. Contact Material: phosphor Bronze
7. Insulator Material: As follows
8. Plated: As follows

Ordering Information



Insulation Height*Wide (H*W)	NO. of Pins Per Row	Insulation Material	Contact Plating	Serial NO.	Packing
43-4.3*3.0	1-50P	1-PBT	0-0.8" Gold	01-99 (No pillars)	A-PE Bag
		2-PPS	1-Au1" Gold	70-99 (pillars)	B-Tube
		3-NY6T	2-Au1.5" Gold	90-99 (outside pillars)	C-Tray
		4-LCP	3-Au2" Gold		D-Reel
		5-NY66	4-Au3" Gold		
		6-Customized	5-Au5" Gold		
		7-NY46	6-Customized		
		8-NY9T	7-Gold/Tin		
			8-Tin		



广东科斯达开关厂

STANDARD TOLERANCE (EXCEPT SPECIFIED)	
LINER	ANGLES
.0 ±0.30	0.° ±3°
.00 ±0.20	.0° ±2°
.000 ±0.10	.00° ±1°

TITLE	PH1.27mm 2XNP SMT Dual Row Female Header with Outer Post	DRAWN BY	Lujunhui	18.04.01
PART NO		CHECKED BY		
DRAWING NO		APPROVED BY		
SCALE	1:1	UNIT	mm	PAGE 1/1
		SIZE	A4	