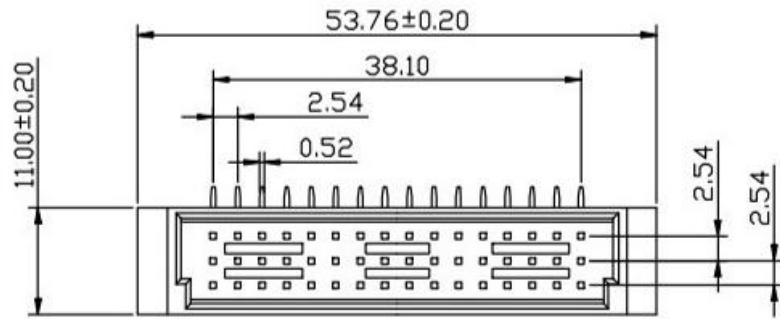
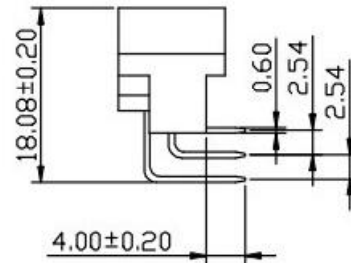
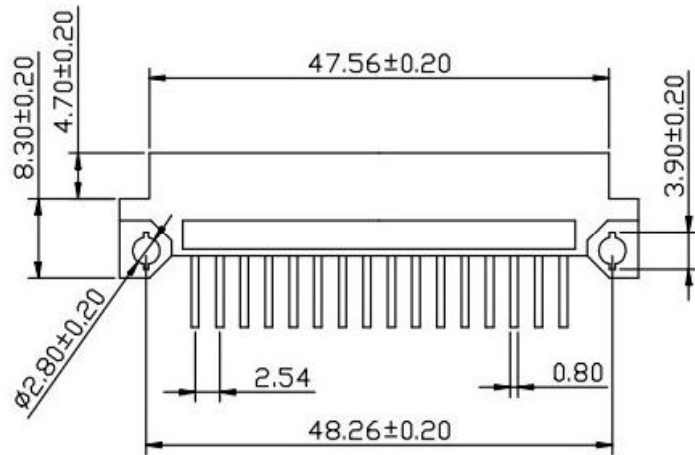


REV	ECN NO	DESCRIPTION	DATE	NAME
A		NEW		

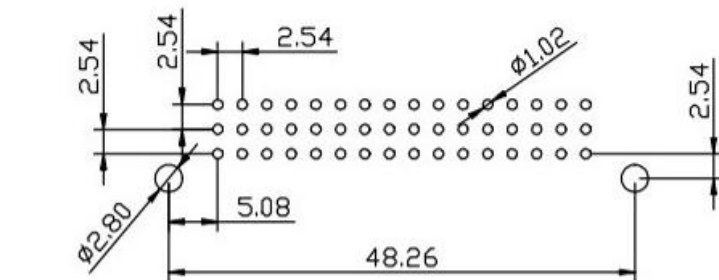
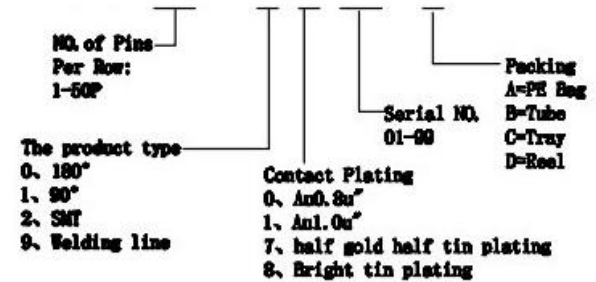


SPECIFICATIONS

Rated Current: 3.0AMP
 Contact Resistance: 30mΩ Max
 Withstand Voltage: 1000V AC/DC
 Insulation Resistance: 1000MΩ Min
 Operation Temperature: -55°C to +105°C
 Contact Material: Brass
 Contact Plating: Au or Sn Over Ni
 Insulator Material: Polyester(UL94V-0)
 Standard: PBT



Ordering Information



P.C.B LAYOUT

STANDARD TOLERANCE (EXCEPT SPECIFIED)			
LINER		ANGLES	
.0	±0.30	0.°	±3°
.00	±0.20	.0°	±2°
.000	±0.10	.00°	±1°

广东科斯达开关厂

TITLE	722.04mm-7 250 42020 Male Three rows Right Angle Type	DRAWN BY	Lujunhui	18. 10. 30
PART NO		CHECKED BY		
DRAWING NO		APPROVED BY		
SCALE	1:1	UNIT	mm	PAGE 1/1
				SIZE A4