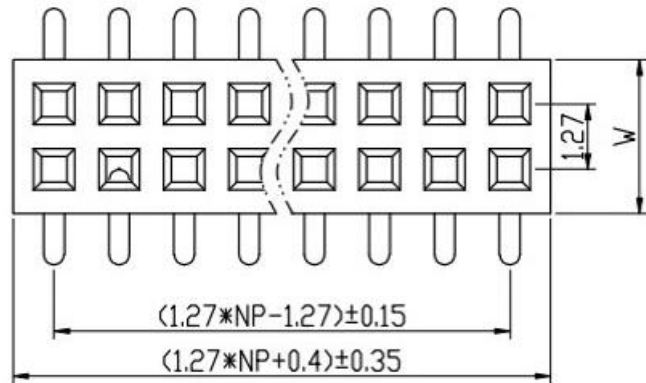


# RoHS

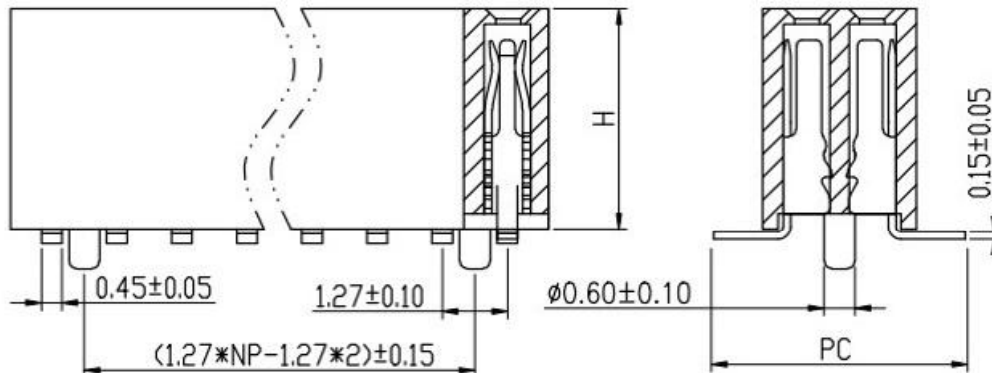
REV	ECN NO	DESCRIPTION	DATE	NAME
A		NEW		



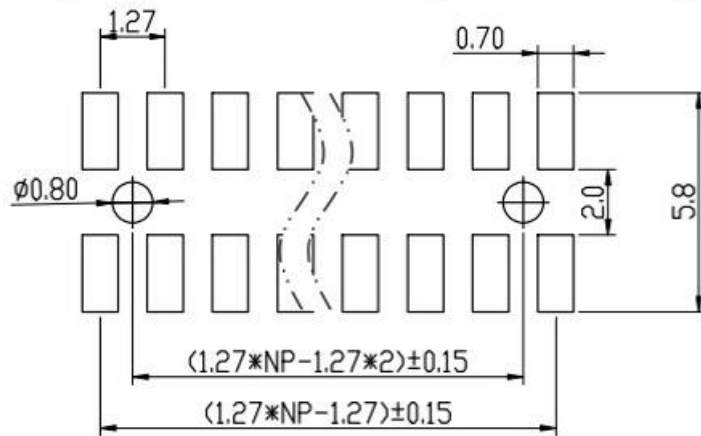
### Specifications

- 1.Current Rating:1Amps
- 2.Contact Resistance: 20mΩ
- 3.Insulator Resistance:1000 Megohms min.
- 4.Dielectric withstanding Voltage: AC/DC 500V
- 5.Operating Temperature:-40℃ to+105℃
- 6.Contact Material: phosphor Bronze
- 7.Insulator Material:Asfollows
- 8.Plated: Asfollows

### Ordering Information



Insulation Height*Wide (H*W)	NO. of Pins Per Row: 1-50P	Insulation Material Option:	Contact Plating	Serial NO.	Packing
20-2.0*3.0		1-PBT	0-0.8" Gold	01-99(No pillars)	A=PE Bag
34-3.4*3.0		2-PPS	1-Au1" Gold	70-99(pillars)	B=Tube
43-4.3*3.0		3-NY6T	2-Au1.5" Gold	90-99(outside pillars)	C=Tray
		4-LCP	3-Au2" Gold		D=Reel
		5-NY66	4-Au3" Gold		
		6-Customized	5-Au5" Gold		
		7-NY46	6-Customized		
		8-NY9T	7-Gold/Tin		
			8-Tin		



PCB LAYOUT

Dimension antitheses list			
ITEM	PC	H	W
Standard	4.2/4.8/5.0	2.0/3.4/4.3	3.0
Alternate			

## 广东科斯达开关厂

STANDARD TOLERANCE (EXCEPT SPECIFIED)	
LINER	ANGLES
.0 ±0.30	0.° ±3°
.00 ±0.20	.0° ±2°
.000 ±0.10	.00° ±1°

TITLE	PH1.27mm 2XNP SMT Dual row Female Header with Post	DRAWN BY	Lujunhui	18.04.01			
PART NO		CHECKED BY					
DRAWING NO		APPROVED BY					
SCALE	1:1	UNIT	mm	PAGE	1/1	SIZE	A4